

High-pressure In-line Pump

# Movitec B

60 Hz

## Type Series Booklet



## **Legal information/Copyright**

Type Series Booklet Movitec B

All rights reserved. The contents provided herein must neither be distributed, copied, reproduced, edited or processed for any other purpose, nor otherwise transmitted, published or made available to a third party without the manufacturer's express written consent.

Subject to technical modification without prior notice.

© KSB Aktiengesellschaft, Frankenthal 20.09.2013

## Contents

<b>High-pressure Pumps</b> .....	<b>5</b>
High-pressure In-line Pumps .....	5
Movitec B .....	5
Main applications .....	5
Fluids handled .....	5
Operating data .....	5
Designation .....	5
Design details .....	5
Materials .....	6
Coating and preservation .....	7
Product benefits .....	7
Acceptance tests / Warranties .....	7
Design and selection information .....	7
Notes on using the characteristic curve .....	7
Fluid handled .....	8
Minimum/maximum flow rate .....	8
Detailed designation .....	8
Pressure and temperature limits .....	11
Fluids handled .....	11
Technical data .....	14
Movitec B, VME, "Fixed" mechanical seal, 3~230/400 V, 60 Hz .....	14
Movitec B, V/VF, "Fixed" mechanical seal, 3~230/400 V, 60 Hz .....	14
Movitec B, V/VF, "Easy Access" mechanical seal, 3~230/400 V, 60 Hz .....	15
Movitec B, VS/VSF, "Easy Access" mechanical seal, 3~230/400 V, 60 Hz .....	17
Movitec B, VCF, "Easy Access" mechanical seal, 3~230/400 V, 60 Hz .....	19
Movitec B, VF 90, "Easy Access" mechanical seal, 3~230/400 V, 60 Hz .....	21
Movitec B, VSF 90, "Easy Access" mechanical seal, 3~230/400 V, 60 Hz .....	21
Movitec B, VCF 90, "Easy Access" mechanical seal, 3~230/400 V, 60 Hz .....	22
Types of connection .....	22
Terminal box positions .....	22
Selection charts .....	23
Movitec B; n = 3500 rpm .....	23
Movitec B; n = 1750 rpm .....	24
Characteristic curves .....	24
n = 3500 rpm .....	25
Movitec B; 2; n = 3500 rpm .....	25
Movitec B; 4; n = 3500 rpm .....	26
Movitec B; 6; n = 3500 rpm .....	27
Movitec B; 10; n = 3500 rpm .....	28
Movitec B; 15; n = 3500 rpm .....	29
Movitec B; 25; n = 3500 rpm .....	30
Movitec B; 90; n = 3500 rpm .....	31
n = 1750 rpm .....	32
Movitec B; 10; n = 1750 rpm .....	32
Movitec B; 15; n = 1750 rpm .....	33

Movitec B; 25; n = 1750 rpm .....	34
Movitec B; 90; n = 1750 rpm .....	35
Dimensions .....	36
Movitec B, V 2, n = 3500 rpm .....	36
Movitec B, V 4, n = 3500 rpm .....	37
Movitec B, V 6, n = 3500 rpm .....	38
Movitec B, V 10, n = 1750 rpm .....	39
Movitec B, V 10, n = 3500 rpm .....	40
Movitec B, V 15, n = 1750 rpm .....	41
Movitec B, V 15, n = 3500 rpm .....	42
Movitec B, V 25, n = 1750 rpm .....	43
Movitec B, V 25, n = 3500 rpm .....	44
Movitec B, VCF 90, V(S)F 90 (60 Hz) .....	45
Movitec B, VCF 90, V(S)F 90, without motor (60 Hz) .....	46
Movitec B, VME 2, 4, 6, VE 10 (60 Hz) .....	47
Notes on installation .....	47
Scope of supply .....	49
Accessories .....	49
General assembly drawing with list of components .....	50
Movitec V 2 B, 4 B, 6 B .....	50
Movitec V(S) 10 B, 15 B, 25 B .....	51
Movitec V 90 B .....	53

## High-pressure Pumps

### High-pressure In-line Pumps

## Movitec B



### Main applications

- Spray irrigation systems
- Irrigation systems
- Washing plants
- Fire-fighting systems
- Pressure boosting
- Industrial plants
- Water supply systems
- Heating, ventilation and air-conditioning systems
- Marine applications

### Fluids handled

- High-temperature hot water
- Clear water
- Condensate
- Cooling water
- Fire-fighting water
- Oil
- Cleaning agents
- And others (⇒ Page 11)

### Operating data

Operating properties

Characteristic		Value
Flow rate	Q	Up to 112.8 m <sup>3</sup> /h (31.0 l/s)
Head	H	Up to 249 m
Operating temperature	t	-20 °C to +140 °C <sup>1)</sup>
Operating pressure	p	Up to 40 bar max. <sup>2)</sup>

### Designation

Example: Movitec VCF 90/2-1 B

Key to the designation

Code	Description
Movitec	Type series
VC	Design
V	Stainless steel/cast steel (pump casing) Stainless steel (hydraulic system of the pump)
VS	Stainless steel/cast steel (pump casing) Stainless steel (hydraulic system of the pump)
VC	Gray cast iron (pump casing) Stainless steel (hydraulic system of the pump)
VM	Version with close-coupled motor
F	Type of connection
-	Oval flange
E	External thread
F	Round flange
T	Tri-clamp coupling
V	Victaulic coupling
90	Size, flow rate [m <sup>3</sup> /h] at Q <sub>opt</sub> 2, 4, 6, 10, 15, 25, 90
2	Number of stages
-1	Number of reduced stages
B	Generation

### Design details

#### Design

- High-pressure in-line pump
- Maximum pressure class PN 40
- Centrifugal pump
- Single-stage or multi-stage

#### Installation

Standard:

- Vertical installation

Optional:

- Horizontal installation

#### Drive

- Surface-cooled KSB squirrel-cage motor
- 3~230/400 V up to 2.2 kW
- 3~400/690 V from 3.0 kW
- Thermal class F to IEC34-1
- Efficiency class IE2 (from 0.75 kW)

1) Standard: -20 °C to +120 °C; for temperatures > 120 °C suitable mechanical seals are required

2) The sum of inlet pressure and shut-off head must not exceed the value indicated

- Enclosure IP55
- Frequency 60 Hz
- Thermal class F

### Shaft seal

The shaft seal is an uncooled, maintenance-free mechanical seal to EN 12756.

- "Fixed" design  
Standard-design mechanical seal, unbalanced bellows-type seal, max. 25 bar
- "Easy Access" design  
Easy-to-replace, unbalanced bellows-type seal, max. 25 bar. Drive lantern need not be removed to replace the seal. Motor rating 5.5 kW and above: Motor need not be removed.
- "Cartridge" design  
Cartridge seal, available in unbalanced bellows-type design (PN 25) or in special balanced PN 40 variant. Drive lantern need not be removed to replace the seal.  
Motor rating 5.5 kW and above: Motor need not be removed.

### Bearings

- Tungsten carbide plain bearings at the hydraulic rotor

### Materials

Overview of materials available for pump components

Part No.	Description	VC	V	VS
101	Pump casing	JL 1040	1.4308	1.4408
108	Stage casing	1.4301 <sup>3)</sup> / 1.4308 <sup>4)</sup>		1.4404 <sup>3)</sup> / 1.4408 <sup>4)</sup>
160	Discharge cover	1.4301 <sup>3)</sup>	1.4301 <sup>3)</sup> / 1.4308 <sup>4)</sup>	1.4404 <sup>3)</sup> / 1.4408 <sup>4)</sup>
10-6	Pump shroud	1.4301		1.4404
210	Shaft	1.4057		1.4460
230	Impeller	1.4301 <sup>3)</sup> / 1.4308 <sup>4)</sup>		1.4404 <sup>3)</sup> / 1.4408 <sup>4)</sup>
341	Drive lantern	JL 1040		
412	O-ring	EPDM	EPDM-WRc / ACS / ACS	VITON / HNBR <sup>5)</sup>
525	Spacer sleeve	1.4301		1.4401
529	Bearing sleeve	Tungsten carbide / aluminum oxide		
890	Baseplate	-	JS 1030 / JL 1040 / 1.4308 <sup>5)</sup>	
905	Tie bolt	1.4057		
920	Nut	1.4301		1.4404
932	Circlip	1.4571		

Key to materials of pump components

Material	Material designation / material number	Standard	To ASTM
Gray cast iron	JL1040 / GJL-250	EN 1561	A48:40B
Chrome nickel steel	1.4301 / X5CrNi18-10	EN 10088	A276:304
	1.4057+QT800 / X17CrNi16-2-QT800	EN 10088-3	A276:431
	1.4401 / X5CrNiMo17-12-2	EN 10088	A276:316
	1.4308 / GX5CrNi19-10	EN 10283	A743:CF8
Chrome nickel molybdenum steel	1.4404 / X2CrNiMo17-12-2	EN 10088	A276:316L
	1.4571 / X6CrNiMoTi17-12-2	EN 10088	A276:316
	1.4460 / X3CrNiMoN27-5-2	EN 10088	
Carbon chromium nickel molybdenum steel	1.4408 / GX5CrNiMo19-11-2	EN 10213	A743CF8M

<sup>3)</sup> Movitec 2B, 4B, 6B, 10B, 15B

<sup>4)</sup> Movitec 90B

<sup>5)</sup> On model with round flange

Material key for mechanical seal

Seal code	Designation to EN 12756	Contact face materials / secondary seals
13	Q1BEGG-WRc	Silicon carbide / hard carbon / EPDM WRc
14	Q1BVGG	Silicon carbide / hard carbon / Viton
15	U3U3X4GG	Tungsten carbide / tungsten carbide / HNBR
16	U3U3VGG	Tungsten carbide / tungsten carbide / Viton
18	U3BEGG	Tungsten carbide / hard carbon / EPDM
20	Q1AEGG	Silicon carbide / hard carbon / EPDM 559236
21	Q1AVGG	Silicon carbide / hard carbon / Viton
22	Q1AX4GG	Silicon carbide / hard carbon / HNBR
23	Q1BEGG	Silicon carbide / hard carbon / EPDM

Key to mechanical seal materials

Designation to EN 12756	Description	Contact face materials / secondary seals
Q1	Primary ring	Silicon carbide (sintered without pressure)
U3	Primary ring	Tungsten carbide (CrNiMo binder)
B	Mating ring	Hard carbon, resin-impregnated
U3	Mating ring	Tungsten carbide (CrNiMo binder)
A	Mating ring	Carbon graphite, antimony-impregnated
E	Elastomer	EPDM (ethylene propylene rubber)
V	Elastomer	Fluoroelastomer (Viton)
X4	Elastomer	HNBR
G	Spring	CrNiMo steel
G	Other metal parts	CrNiMo steel

**Coating and preservation**

Coating of pump components

Component	Coating
Stainless steel components	No additional coating
<b>Movitec VC:</b>	
Pump casing made of gray cast iron	Cataphoretic coating
<b>Movitec VVS:</b>	
Slide flanges made of gray cast iron	Cataphoretic coating
Drive lantern made of gray cast iron	Powder coating

**Product benefits**

- Reliable: product-lubricated plain bearings made of tungsten carbide, cast pump foot, torsion-resistant pump shroud and confined O-rings
- Long service life due to corrosion-resistant hydraulic components made of stainless steel
- Easy to service: can be fitted with any standardized mechanical seal (to EN 12756)
- Various materials and connection options, extended temperature and pressure range

**Acceptance tests / Warranties**

- Internal pressure test
  - to EN 809
- Leak test
  - with water
- Materials testing

- Certificate of compliance with the order (corresponds to EN 10204)

In the certificate of compliance with the order the manufacturer confirms by way of an informal report without specifying test results that the delivery complies with the stipulations of the purchase order.

- Test report 2.2 on request

▪ Product inspection

- Inspection certificate 3.1 to EN 10204 on request

▪ Hydraulic test

The duty point of each pump is guaranteed according to ISO 9906/2A.

This test is always carried out using the original motor. The NPSH and the suction lift are not measured (3.2 certificate available).

▪ Warranties

Warranties are given within the scope of the valid delivery conditions.

**Design and selection information**

**Notes on using the characteristic curve**

NPSH:

- The NPSH values given in the individual characteristic curves are minimum values which correspond to the cavitation limit.
- A safety margin of at least 0.5 m must be added when selecting the pump to compensate for measuring inaccuracies.
- The NPSH curves reflect average values.

- A safety margin of 0.5 m must be added to the NPSH value of the characteristic curve when selecting a system.

### Fluid handled

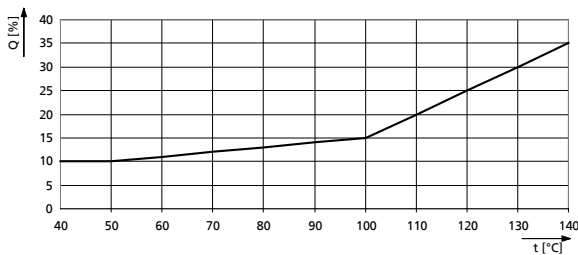
The actual operating conditions must always be checked (concentration, temperature, solids content). The penetration of air into the system must be avoided by all means.

If the fluid handled contains solids such as steel chips or steel dust, check the permissible particle concentration with KSB.

### Minimum/maximum flow rate

Minimum/maximum flow rate (Q) at a fluid temperature  $\leq 20$  °C

Size	Q [m³/h]			
	2-pole		4-pole	
	Min.	Max.	Min.	Max.
2	0,2	3,3	-	-
4	0,4	6,5	-	-
6	0,6	9,0	-	-
10	1,1 <sup>6)</sup>	13,2	0,5	6,6
15	1,6 <sup>6)</sup>	22,5	0,8	11,3
25	2,8	35,0	1,4	17,5
45	4,6	57,0	-	-
65	6,1	75,0	-	-
90	8,5	110,0	4,3	53,9
LHS6	0,8	8,6	1,4	-



Minimum flow rate required as a function of fluid temperature at a fluid temperature  $> 20$  °C

### Detailed designation

Example:

1	2	3	4	5	6	7	8	9	10	11	12	13	14	15	16	17	18	19	20	21	22	23	24	25	26	27	28	29	30	31	32
M	o	v	i	t	e	c	V	C	F	0	9	0	/	0	2	1	B	1	A	1	3	E	0	0	1	3	2	5	A	A	X

Name (1-7)

Code	Description
Movitec	Movitec

Version (8-9)

Code	Description
V-	1.4301
VC	1.4301/GG
VM	1.4301/monobloc motor
VS	1.4401/1.4404

Connection type (10)

Code	Description
-	Oval flange
E	External thread
F	Round flange
T	Tri-clamp coupling
V	Victaulic coupling

<sup>6)</sup> For pumps with VdS certification, the minimum flow rate Q min is 5 % of the permissible flow rate.



Size (11-13)

Code	Description
002	Size 2
004	Size 4
006	Size 6
010	Size 10
015	Size 15
025	Size 25
0905	Size 90

Number of stages (15-16)

Code	Description
01	1 stage
02	2 stages
03	3 stages
04	4 stages
05	5 stages
06	6 stages
07	7 stages
08	8 stages
09	9 stages
10	10 stages
11	11 stages
12	12 stages
13	13 stages
14	14 stages
15	15 stages
16	16 stages
17	17 stages
18	18 stages
19	19 stages
20	20 stages
21	21 stages
22	22 stages
24	24 stages
26	28 stages
28	28 stages
30	30 stages

Number of reduced stages (17)

Code	Description
-	No reduced stage
1	One reduced stage
2	Two reduced stages

Generation (18)

Code	Description
A	Previous generation
B	New generation

Connection standard (19)

Code	Description
0	Victaulic / no standard
1	EN 1092
2	ASME B16.1
3	JIS B2238
4	EN ISO 228-1
5	ASME B16.5 oval flange
6	DIN 32676
7	EN ISO 228-1
8	ISO 7-1
9	ASME B16.5 round flange

Material variant (20)

Code	Description
A	304 - JL 1040 - JL 1040
B	304 - JL 1040 - 304
C	304 - JL 1040 - JS 1030
D	304 - JS 1030 - JL 1040
E	304 - JS 1030 - 304
F	304 - 304 - JL 1040
G	304 - 304 - JS 1030
H	304 - 304 - 304
K	304 - 316 - JS 1030
L	304 - 316 - JL 1040
M	304 - 316 - 304
N	316 - JS 1030 - JL 1040
O	316 - JS 1030 - 304
P	316 - 304 - JL 1040
Q	316 - 304 - 304
R	316 - 316 - JL 1040
S	316 - 316 - JS 1030
T	316 - 316 - 304
U	JL 1040 - JL 1040 - JL 1040

Seal code (21-22)

Code	Description
13	Q1BEGG-WRC-EPDM-WRC
14	Q1BVGG-Viton
15	U3U3X4GG-HNBR
16	U3U3VGG-Viton
18	U3BEGG-EPDM
20	Q1AEGG-EPDM
21	Q1AVGG-Viton
22	Q1AX4GG-HNBR
23	Q1BEGG

Design of mechanical seal (23)

Code	Description
F	"Fixed" design
E	"Easy Access" design
C	"Cartridge" design

Drive (24)

Code	Description
P	With PumpDrive
A	ATEX IEC
S	Standard IEC
N	NEMA standard
0	Without motor

Motor rating and number of poles (25-28)

Code	Description
0024	0,25 kW, 4-pole
0032	0,37 kW, 2-pole
0034	0,37 kW, 4-pole
0052	0,55 kW, 2-pole
0054	0,55 kW, 4-pole
0056	NEMA 58c
0071	IEC 071
0072	0,75 kW, 2-pole
0074	0,75 kW, 4-pole
0080	IEC 080
0090	IEC 090S/L
0100	IEC 100L
0112	1,1 kW, 2-pole
0112	IEC 112M
0114	1,1 kW, 4-pole

Code	Description
0132	1,3 kW, 2-pole
0132	IEC 132S/M
0143	NEMA 143TC
0145	NEMA 145TC
0152	1,5 kW, 2-pole
0154	1,5 kW, 4-pole
0160	IEC 160M/L
0180	IEC 180M/L
0182	NEMA 182TC
0184	NEMA 184TC
0192	1,85 kW, 2-pole
0200	IEC 200L
0215	NEMA 215TC
0222	2,2 kW, 2-pole
0224	2,2 kW, 4-pole
0225	IEC 225M
0252	2,5 kW, 2-pole
0256	NEMA 256TC
0284	NEMA 284TSC
0286	NEMA 286TSC
0302	3,0 kW, 2-pole
0304	3,0 kW, 4-pole
0324	NEMA 324TSC
0326	NEMA 326TSC
0352	3,3 kW, 2-pole
0364	NEMA 364TSC
0402	4,0 kW, 2-pole
0404	4,0 kW, 4-pole
0462	4,6 kW, 2-pole
0552	5,5 kW, 2-pole
0554	5,5 kW, 4-pole
0752	7,5 kW, 2-pole
0754	7,5 kW, 4-pole
1002	10,0 kW, 2-pole
1102	11,0 kW, 2-pole
1252	12,5 kW, 2-pole
1502	15,0 kW, 2-pole
1852	18,5 kW, 2-pole
2002	20,0 kW, 2-pole
2202	22,0 kW, 2-pole
2402	24,0 kW, 2-pole
2802	28,0 kW, 2-pole
3002	30,0 kW, 2-pole
3702	37,0 kW, 2-pole
3802	38,0 kW, 2-pole
4502	45,0 kW, 2-pole

Mains frequency (29)

Code	Description
5	50 Hz
6	60 Hz

Motor voltage (30)

Code	Description
A	230/400 V - IE1
B	400/690 V - IE1
C	230/400 V - IE2
D	400/690 V - IE2
E	EXM IEC - DP
F	EXM IEC - TBH
G	EXM NEMA
J	400/690 V - IE 2
K	EXM IEC - Movitec

Code	Description
L	400/690 V - IE 2/PDX
M	230 V - single-phase

PumpMeter (31)

Code	Description
A	With PumpMeter
W	Without PumpMeter

Standard (32)

Code	Description
X	One or several non-standard components

## Pressure and temperature limits

Pressure and temperature limits

Seal code		Material variant	Temperature of the fluid handled [°C] <sup>7)</sup>		Maximum operating pressure [bar]
Standard	Optional		Minimum	Maximum	
13	14, 15, 16, 18	V	-20	120	16 / 25 <sup>8)</sup>
14	13, 15, 16, 18	VS			
23	13, 14, 15, 16, 18	VC			
21	-	V	-20	140	16 / 25 <sup>9)</sup>
22	-	VS			
20	-	VC			

## Fluids handled

The data refer to the chemical resistance of the materials. The relevant regulations/standards governing individual pump applications have to be complied with.

The actual operating conditions must always be checked (concentration, temperature, solids content). The penetration of air into the system must be avoided by all means.

If the operating conditions differ from the data given (e.g. mixed products) or if the fluids are not included in the table below, please contact KSB.

- **Temperature ranges:**
  - Reference temperature: 20 °C.
  - For temperatures <0 °C: contact KSB.
  - For temperatures >50 °C: check and observe the vapor pressure of the fluid handled.
  - Max. temperature = 120 °C, unless indicated otherwise
- Max. concentration = 100 %, unless indicated otherwise
- Mechanical seal silicon carbide/carbon (Q1B): not suitable for fluids containing solid substances. This rule also covers particles developing as a result of salt crystallization at low fluid temperatures.
- Mechanical seal tungsten carbide / tungsten carbide (U3U3): solids content max. 20 ppm (depending on particle size), with the exception of corrosive media. Fluids with a higher solids content are not permitted (ppm = 1 mg/kg).
- Caution: High temperatures will increase corrosion (reference temperature = 20 °C).
- Under unfavorable conditions (high temperatures, deposits, long idle periods), chloride contents of more than 300 mg/l may result in localized corrosion.

Fluid selection table

Fluid handled	Max. content [%]	Max. temperature [°C]	Mechanical seal variant					
			23	13	14	15	16	18
Alum, acid-free <sup>10)</sup>	3	80	-	-	V/VS	-	-	-
Alkaline solution, bottle rinsing, max. 2% sodium hydroxide	-	40	-	-		VCV/V S	-	-
Alcohol								
- Butanol	-	60	VC	VC/VVS	-	-	-	-
- Ethanol	-	60	VC	VC/VVS	-	-	-	-
- Propanol	-	80	VC	VC/VVS	-	-	-	-
- Spirits (40 % ethanol)	-	60	-	VVS	-	-	-	-
Wine (white, red)	-	60	-	VVS	V/VS	-	-	-
Ammonium bicarbonate	10	40	VC	VC/VVS	-	-	-	-
Aluminum sulphate, acid-free <sup>11)</sup>	5	60	-	-	-	-	V/VS	-
Ammonium sulphate	20	60	-	VVS	-	-	-	-
Calcium acetate, acid-free	10	60	VC	VC/VVS	-	-	-	-
Calcium nitrate, acid-free	10	60	-	-	-	-	V/VS	-
Ferric sulphate (II)	5	80	-	-	-	-	V/VS	-

<sup>7)</sup> Subject to special application limits (see list of fluids handled)

<sup>8)</sup> Depending on type of connection

<sup>9)</sup> 120°C - 140 °C: PN 16

<sup>10)</sup> Movitec V up to 50 °C, Movitec VS up to 80 °C, not for Movitec VC

<sup>11)</sup> Movitec V up to 50 °C, Movitec VS up to 60 °C, not for Movitec VC

Fluid handled	Max. content [%]	Max. temperature [°C]	Mechanical seal variant					
			23	13	14	15	16	18
Water-oil emulsion (95 %, 5 %), free of solids	-	80	-	-	VC/VV/S	-	-	-
Ethylene glycol base anti-freeze, inhibited, closed system	20	110	VC <sup>12)</sup>	VCN/VVS <sup>12)</sup>	VC/VV/S	-	VC/VVS <sup>13)</sup>	-
	25	110	VC <sup>12)</sup>	VCN/VVS <sup>12)</sup>	VC/VV/S	-	VC/VVS <sup>13)</sup>	-
	30	110	VC <sup>12)</sup>	VCN/VVS <sup>12)</sup>	VC/VV/S	-	VC/VVS <sup>13)</sup>	-
	35	110	VC <sup>12)</sup>	VCN/VVS <sup>12)</sup>	VC/VV/S	-	VC/VVS <sup>13)</sup>	-
	40	110	VC <sup>12)</sup>	VCN/VVS <sup>12)</sup>	VC/VV/S	-	VC/VVS <sup>13)</sup>	-
	45	110	VC <sup>12)</sup>	VCN/VVS <sup>12)</sup>	VC/VV/S	-	VC/VVS <sup>13)</sup>	-
	50	110	VC <sup>12)</sup>	VCN/VVS <sup>12)</sup>	VC/VV/S	-	VC/VVS <sup>13)</sup>	-
Ethylene glycol base anti-freeze, inhibited, open system	20	110	-	V/VVS <sup>12)</sup>	VVS	-	V/VVS <sup>13)</sup>	-
	25	110	-	V/VVS <sup>12)</sup>	VVS	-	V/VVS <sup>13)</sup>	-
	30	110	-	V/VVS <sup>12)</sup>	VVS	-	V/VVS <sup>13)</sup>	-
	35	110	-	V/VVS <sup>12)</sup>	VVS	-	V/VVS <sup>13)</sup>	-
	40	110	-	V/VVS <sup>12)</sup>	VVS	-	V/VVS <sup>13)</sup>	-
	45	110	-	V/VVS <sup>12)</sup>	VVS	-	V/VVS <sup>13)</sup>	-
	50	110	-	V/VVS <sup>12)</sup>	VVS	-	V/VVS <sup>13)</sup>	-
Glycerin	40	80	VC	VC/VVS	VC/VV/S	-	-	-
Glycols (pure)	-	-	-	-	-	-	-	-
Diethylene glycol	-	100	VC	VC/VVS	VC/VV/S	-	-	-
Ethylene glycol	-	100	VC	VC/VVS	VC/VV/S	-	-	-
Potassium hydroxide	5	40	-	-	-	VCN/V/S	-	-
Potassium nitrate, acid-free	5	30	-	-	-	VCN/V/S	-	-
Potassium sulphate, acid-free	3	20	-	-	VC/VV/S	-	-	-
Copper sulphate	5	80	-	-	-	VVS	-	-
Magnesium sulphate	10	80	-	-	VVS	-	-	-
Milk	-	60	-	VVS	VVS	-	-	-
Sodium carbonate	6	60	VC	VC/VVS	-	-	-	-
Sodium hydroxide	5	40	-	-	-	VCN/V/S	-	-
Sodium nitrate, acid-free <sup>14)</sup>	10	60	VC	VC/VVS	-	-	-	-
Sodium sulphate, acid-free	5	60	-	VVS	-	-	-	-
<b>Oil</b>								
- Peanut oil	-	90	-	-	VC/VV/S	-	-	-
- Linseed oil, max. 3 % H <sub>2</sub> SO <sub>4</sub> <sup>15)</sup>	-	60	-	-	VVS	-	-	-
- Linseed oil	-	60	-	-	VC/VV/S	-	-	-
- Corn oil	-	100	-	-	VC/VV/S	-	-	-
- Rapeseed oil	-	100	-	-	VC/VV/S	-	-	-
- Soybean oil	-	100	-	-	VC/VV/S	-	-	-

12) 100 °C max.

13) 110 °C max.

14) Movitec V up to 60 °C, Movitec VS up to 60 °C, Movitec VC up to 30 °C

15) Movitec V up to 20 °C, Movitec VS up to 60 °C, not for Movitec VC

Fluid handled	Max. content [%]	Max. temperature [°C]	Mechanical seal variant					
			23	13	14	15	16	18
Kerosene	-	80	-	-	V/V/S	-	-	-
Juice (fruit and sugar juice)	-	60	-	-	V/V/S	-	-	-
<b>Acid</b>								
- Acetic acid	10	60	-	V/V/S	-	-	-	-
- Acetic acid	5	60	-	V/V/S	-	-	-	-
- Tannic acid	20	80	-	-	V/V/S	-	-	-
- Maleic acid	10	60	-	-	V/V/S	-	-	-
- Lactic acid	5	60	-	-	V/V/S	-	-	-
- Lactic acid	40	60	-	-	V/V/S	-	-	-
- Phosphoric acid	5	20	-	-	V/V/S	-	-	-
- Sulphuric acid	5	20	-	-	-	-	V/S	-
- Tartaric acid	8	40	-	-	V/S	-	-	-
- Citric acid	25	30	-	-	V/V/S	-	-	-
- Citric acid	10	30	-	-	V/V/S	-	-	-
<b>Fuel</b>								
- Diesel oil	-	80	-	-	V/V/S	-	-	-
- Fuel oil	-	80	-	-	V/V/S	-	-	-
- Jet fuel	-	80	-	-	V/V/S	-	-	-
Trisodium phosphate	4	80	-	-	-	V/C/V/S	-	-
<b>Water</b>								
- Deionized water (fully desalinated)	-	140	-	V/V/S <sup>12)</sup>	-	-	-	V/V/S <sup>16)</sup>
- Dealkalized water	-	120	-	-	-	V/V/S <sup>16)</sup>	-	-
- Decarbonized water	-	120	-	-	-	V/V/S <sup>16)</sup>	-	-
- Permeate (osmosis)	-	140	-	V/V/S <sup>12)</sup>	-	-	-	V/V/S <sup>16)</sup>
- Partly desalinated water	-	120	-	-	-	V/V/S <sup>16)</sup>	-	-
- Fire-fighting water	-	60	-	-	-	V/C/V/S	-	V/C/V/S <sup>16)</sup>
- Heating water up to max. 100 °C, to VDI 2035	-	140	VC <sup>12)</sup>	V/C/V/S <sup>12)</sup>	-	-	-	V/C/V/S <sup>16)</sup>
- High-temperature hot water treated in acc. with VdTÜV 1466	-	140	VC <sup>12)</sup>	V/C/V/S <sup>12)</sup>	-	-	-	V/C/V/S <sup>16)</sup>
- Boiler feed water in acc. with VdTÜV 1466	-	140	VC <sup>12)</sup>	V/C/V/S <sup>12)</sup>	-	-	-	V/C/V/S <sup>16)</sup>
- Condensate treated in acc. with VdTÜV 1466	-	140	VC <sup>12)</sup>	V/C/V/S <sup>12)</sup>	-	-	-	V/C/V/S <sup>16)</sup>
- Vapor condensate (brewery)	-	140	VC <sup>12)</sup>	V/C/V/S <sup>12)</sup>	-	-	-	V/C/V/S <sup>16)</sup>
- Cooling water	-	100	-	-	-	-	V/C/V/S	-
- Tap water	-	60	-	V/C/V/S	-	-	-	-
- Brewing water	-	60	-	V/C/V/S	-	-	-	-
- Ice water (brewery)	-	60	-	V/C/V/S	-	-	-	-
- Tap water / drinking water	-	60	-	V/C/V/S	-	-	-	-
- Hot water (brewery)	-	60	-	V/C/V/S	-	-	-	-
- Clean water	-	60	VC	V/C/V/S	V/C/V/S	V/C/V/S	V/C/V/S	V/C/V/S
- Brackish water	-	15	-	-	-	-	V/S	-
- Seawater	-	15	-	-	-	-	V/S	-
- Raw water	-	60	-	-	-	V/C/V/S	-	-
- Gray water, slightly contaminated water	-	60	-	-	-	V/C/V/S	-	-
- River water	-	60	-	-	-	V/C/V/S	-	-
- Lake water	-	60	-	-	-	V/C/V/S	-	-
- Dam water	-	60	-	-	-	V/C/V/S	-	-

<sup>16)</sup> 120 °C max.

Fluid handled	Max. content [%]	Max. temperature [°C]	Mechanical seal variant					
			23	13	14	15	16	18
- Surface water	-	60	-	-	-	VCV/VS	-	-
- Fresh water	-	60	-	-	VCV/VS	-	-	-
- Barrier water	-	70	-	-	-	-	VCV/VS	-
- Flushing water	-	70	-	-	-	-	VCV/VS	-
- Rainwater, with strainer	-	60	-	-	-	-	VCV/VS	-

**Technical data**
**Movitec B, VME, "Fixed" mechanical seal, 3~230/400 V, 60 Hz**

Movitec VME, "Fixed" mechanical seal, close-coupled motor IE2, external thread with integrated lift check valve (discharge side), 3~230/400 V

Size	Number of stages	Shaft seal code	Motor rating	Max. current	Mat. No.	[kg]
			[kW]	[A]		
2900 rpm						
Movitec VME 2	2	13	0,37	1,54 / 0,89	48894845	14.1
Movitec VME 2	3	13	0,37	1,54 / 0,89	48894846	14.4
Movitec VME 2	4	13	0,55	2,29 / 1,32	48894847	16.6
Movitec VME 2	5	13	0,75	2,94 / 1,69	48894848	18.4
Movitec VME 2	6	13	0,75	2,94 / 1,69	48894849	18.8
Movitec VME 4	2	13	0,55	2,29 / 1,32	48894850	15.8
Movitec VME 4	3	13	0,75	2,94 / 1,69	48894851	17.7
Movitec VME 4	4	13	1,10	4,14 / 2,38	48894852	20.6
Movitec VME 6	2	13	0,75	2,94 / 1,69	48894853	15.6
Movitec VME 6	3	13	1,10	4,14 / 2,38	48894854	17.4

**Movitec B, VVF, "Fixed" mechanical seal, 3~230/400 V, 60 Hz**

Movitec V, "Fixed" mechanical seal, with KSB standard motor IE2, 3~230/400 V

Size	Number of stages	Shaft seal code	Motor rating	Max. current	Oval flange Movitec V		Round flange Movitec VF	
			[kW]	[A]	Mat. No.	[kg]	Mat. No.	[kg]
3500 rpm								
Movitec V 2	2	13	0,37	1,54 / 0,89	48894855	16.1	-	-
Movitec V 2	3	13	0,37	1,54 / 0,89	48894856	16.5	-	-
Movitec V 2	4	13	0,55	2,29 / 1,32	48894857	19.5	-	-
Movitec V 2	5	13	0,75	2,94 / 1,69	48894858	21	-	-
Movitec V 2	6	13	0,75	2,94 / 1,69	48894859	21.4	-	-
Movitec V 2	7	13	1,10	4,14 / 2,38	48894860	24.3	-	-
Movitec V 2	8	13	1,10	4,14 / 2,38	48894861	24.7	-	-
Movitec V 2	9	13	1,10	4,14 / 2,38	48894862	25.1	-	-
Movitec V 2	10	13	1,50	4,98 / 2,86	48894863	29.5	-	-
Movitec V 2	11	13	1,50	4,98 / 2,86	48894864	29.6	-	-
Movitec V 2	12	13	1,50	4,98 / 2,86	48894865	30	-	-
Movitec V 2	14	13	2,20	7,14 / 4,11	48894866	38.2	-	-
Movitec V 2	16	13	2,20	7,14 / 4,11	-	-	48894867	38.6
Movitec V 2	18	13	2,20	7,14 / 4,11	-	-	48894868	39.4
Movitec V 2	20	13	3,00	9,51 / 5,47	-	-	48894869	49.6
Movitec V 2	22	13	3,00	9,51 / 5,47	-	-	48894870	50.5
Movitec V 4	2	13	0,55	2,29 / 1,32	48894871	17.9	-	-
Movitec V 4	3	13	0,75	2,94 / 1,69	48894872	20.2	-	-
Movitec V 4	4	13	1,10	4,14 / 2,38	48894873	23.1	-	-
Movitec V 4	5	13	1,50	4,98 / 2,86	48894874	27.2	-	-

Size	Number of stages	Shaft seal code	Motor rating	Max. current	Oval flange Movitec V		Round flange Movitec VF	
			[kW]	[A]	Mat. No.	[kg]	Mat. No.	[kg]
Movitec V 4	6	13	1,50	4,98 / 2,86	48894875	27.6	-	-
Movitec V 4	7	13	2,20	7,14 / 4,11	48894876	31	-	-
Movitec V 4	8	13	2,20	7,14 / 4,11	48894877	31.4	-	-
Movitec V 4	9	13	3,00	9,51 / 5,47	48894878	40.8	-	-
Movitec V 4	10	13	3,00	9,51 / 5,47	48894879	41.7	-	-
Movitec V 4	11	13	3,00	9,51 / 5,47	48894880	42.1	-	-
Movitec V 4	12	13	4,00	12,49 / 7,18	48894881	55.5	-	-
Movitec V 4	14	13	4,00	12,49 / 7,18	-	-	48894882	56.3
Movitec V 4	16	13	5,50	17,22 / 9,90	-	-	48894883	73.2
Movitec V 4	18	13	5,50	17,22 / 9,90	-	-	48894884	74.1
Movitec V 6	2	13	0,75	2,94 / 1,69	48894886	19.8	-	-
Movitec V 6	3	13	1,10	4,14 / 2,38	48894887	22.8	-	-
Movitec V 6	4	13	1,50	4,98 / 2,86	48894888	26.9	-	-
Movitec V 6	5	13	2,20	7,14 / 4,11	48894889	30.4	-	-
Movitec V 6	6	13	2,20	7,14 / 4,11	48894890	30.8	-	-
Movitec V 6	7	13	3,00	9,51 / 5,47	48894891	40.7	-	-
Movitec V 6	8	13	3,00	9,51 / 5,47	48894892	41.2	-	-
Movitec V 6	9	13	4,00	12,49 / 7,18	48894893	50.7	-	-
Movitec V 6	10	13	4,00	12,49 / 7,18	48894894	51.2	-	-
Movitec V 6	11	13	4,00	12,49 / 7,18	48894895	51.6	-	-
Movitec V 6	12	13	5,50	17,22 / 9,90	-	-	48894896	73.6
Movitec V 6	14	13	5,50	17,22 / 9,90	-	-	48894897	74.6
Movitec V 6	16	13	7,50	23,29 / 13,29	-	-	48894898	104.5
Movitec V 6	18	13	7,50	23,29 / 13,29	-	-	48894899	105.5
Movitec V 10	1	13	0,75	2,94 / 1,69	48896745	32.4	-	-
Movitec V 10	2	13	1,50	4,98 / 2,86	48896746	38.6	-	-
Movitec V 10	3	13	2,20	7,14 / 4,11	48896747	42.7	-	-
Movitec V 10	4	13	3,00	9,51 / 5,47	48896748	51.3	-	-
Movitec V 10	5	13	3,00	12,49 / 7,18	48896749	52.5	-	-
Movitec V 10	6	13	4,00	12,49 / 7,18	48896750	58.4	-	-
Movitec V 10	7	13	5,50	17,22 / 9,90	48896751	96.7	-	-
Movitec V 10	8	13	5,50	17,22 / 9,90	48896752	99.1	-	-
Movitec V 10	9	13	5,50	23,29 / 13,29	48896753	104.57	-	-
Movitec V 10	10	13	7,50	23,29 / 13,29	48896754	105.6	-	-
Movitec V 10	11	13	7,50	23,29 / 13,29	-	-	48896755	108
Movitec V 10	13	13	11,00	32,87 / 18,90	-	-	48896756	187.8
Movitec V 10	15	13	11,00	32,87 / 18,90	-	-	48896757	189.7
Movitec V 15	1	13	1,50	7,14 / 4,11	48896982	40.66	-	-
Movitec V 15	2	13	3,00	9,51 / 5,47	48896983	49.3	-	-
Movitec V 15	3	13	5,50	17,22 / 9,90	48896984	93	-	-
Movitec V 15	4	13	7,50	23,29 / 13,29	48896985	97.9	-	-
Movitec V 15	5	13	7,50	23,29 / 13,29	48896986	98.9	-	-
Movitec V 15	6	13	11,00	32,87 / 18,90	48896987	176.3	-	-
Movitec V 15	7	13	11,00	32,87 / 18,90	48896988	177.3	-	-
Movitec V 15	8	13	15,00	43,48 / 25,58	-	-	48896989	191.6
Movitec V 15	9	13	15,00	43,48 / 25,58	-	-	48896990	193.2
Movitec V 15	10	13	15,00	43,48 / 25,58	-	-	48896991	194.2
Movitec V 15	11	13	18,50	60,90 / 35,68	-	-	48896992	215.2

**Movitec B, VVF, "Easy Access" mechanical seal, 3~230/400 V, 60 Hz**

Movitec V, "Easy Access" mechanical seal, with KSB standard motor IE2, 3~230/400 V

Size	Number of stages	Shaft seal code	Motor rating	Max. current	Oval flange Movitec V		Round flange Movitec VF	
			[kW]	[A]	Mat. No.	[kg]	Mat. No.	[kg]
3500 rpm								
Movitec V 2	2	13	0,37	1,54 / 0,89	48894932	16.3	-	-
Movitec V 2	3	13	0,37	1,54 / 0,89	48894933	16.7	-	-

Size	Number of stages	Shaft seal code	Motor rating	Max. current	Oval flange Movitec V		Round flange Movitec VF	
			[kW]	[A]	Mat. No.	[kg]	Mat. No.	[kg]
Movitec V 2	4	13	0,55	2,29 / 1,32	48894934	20.7	-	-
Movitec V 2	5	13	0,75	2,94 / 1,69	48894935	21.1	-	-
Movitec V 2	6	13	0,75	2,94 / 1,69	48894936	21.5	-	-
Movitec V 2	7	13	1,10	4,14 / 2,38	48894937	24.5	-	-
Movitec V 2	8	13	1,10	4,14 / 2,38	48894938	24.9	-	-
Movitec V 2	9	13	1,10	4,14 / 2,38	48894939	25.3	-	-
Movitec V 2	10	13	1,50	4,98 / 2,86	48894940	26.4	-	-
Movitec V 2	11	13	1,50	4,98 / 2,86	48894941	29.8	-	-
Movitec V 2	12	13	1,50	4,98 / 2,86	48894942	30.2	-	-
Movitec V 2	14	13	2,20	7,14 / 4,11	48894943	38.4	-	-
Movitec V 2	16	13	2,20	7,14 / 4,11	-	-	48894944	38.8
Movitec V 2	18	13	2,20	7,14 / 4,11	-	-	48894945	39.6
Movitec V 2	20	13	3,00	9,51 / 5,47	-	-	48894946	49.8
Movitec V 2	22	13	3,00	9,51 / 5,47	-	-	48894947	50.6
Movitec V 4	2	13	0,55	2,29 / 1,32	48895026	18	-	-
Movitec V 4	3	13	0,75	2,94 / 1,69	48895027	20.4	-	-
Movitec V 4	4	13	1,10	4,14 / 2,38	48895028	23.3	-	-
Movitec V 4	5	13	1,50	4,98 / 2,86	48895029	27.3	-	-
Movitec V 4	6	13	1,50	4,98 / 2,86	48895030	27.8	-	-
Movitec V 4	7	13	2,20	7,14 / 4,11	48895031	31.2	-	-
Movitec V 4	8	13	2,20	7,14 / 4,11	48895032	31.6	-	-
Movitec V 4	9	13	3,00	9,51 / 5,47	48895033	41	-	-
Movitec V 4	10	13	3,00	9,51 / 5,47	48895034	41.8	-	-
Movitec V 4	11	13	3,00	9,51 / 5,47	48895035	42.3	-	-
Movitec V 4	12	13	4,00	12,49 / 7,18	48895036	55.6	-	-
Movitec V 4	14	13	4,00	12,49 / 7,18	-	-	48895037	56.5
Movitec V 4	16	13	5,50	17,22 / 9,90	-	-	48895038	73.4
Movitec V 4	18	13	5,50	17,22 / 9,90	-	-	48895039	74.3
Movitec V 6	2	13	0,75	2,94 / 1,69	48895114	20	-	-
Movitec V 6	3	13	1,10	4,14 / 2,38	48895115	22.9	-	-
Movitec V 6	4	13	1,50	4,98 / 2,86	48895116	27	-	-
Movitec V 6	5	13	2,20	7,14 / 4,11	48895117	30.5	-	-
Movitec V 6	6	13	2,20	7,14 / 4,11	48895118	31	-	-
Movitec V 6	7	13	3,00	9,51 / 5,47	48895119	40.9	-	-
Movitec V 6	8	13	3,00	9,51 / 5,47	48895120	41.3	-	-
Movitec V 6	9	13	4,00	12,49 / 7,18	48895121	50.8	-	-
Movitec V 6	10	13	4,00	12,49 / 7,18	48895122	51.3	-	-
Movitec V 6	11	13	4,00	12,49 / 7,18	48895123	51.8	-	-
Movitec V 6	12	13	5,50	17,22 / 9,90	-	-	48895124	73.8
Movitec V 6	14	13	5,50	17,22 / 9,90	-	-	48895125	74.7
Movitec V 6	16	13	7,50	23,29 / 13,29	-	-	48895126	104.7
Movitec V 6	18	13	7,50	23,29 / 13,29	-	-	48895127	105.7
Movitec V 10	1	13	0,75	2,94 / 1,69	48896758	32.5	-	-
Movitec V 10	2	13	1,50	4,98 / 2,86	48896759	38.7	-	-
Movitec V 10	3	13	2,20	7,14 / 4,11	48896760	42.9	-	-
Movitec V 10	4	13	3,00	9,51 / 5,47	48896761	51.5	-	-
Movitec V 10	5	13	3,00	12,49 / 7,18	48896762	52.6	-	-
Movitec V 10	6	13	4,00	12,49 / 7,18	48896763	58.5	-	-
Movitec V 10	7	13	5,50	17,22 / 9,90	48896764	96.9	-	-
Movitec V 10	8	13	5,50	17,22 / 9,90	48896765	99.3	-	-
Movitec V 10	9	13	5,50	23,29 / 13,29	48896766	104.72	-	-
Movitec V 10	10	13	7,50	23,29 / 13,29	48896767	105.7	-	-
Movitec V 10	11	13	7,50	23,29 / 13,29	-	-	48896768	108.1
Movitec V 10	13	13	11,00	32,87 / 18,90	-	-	48896769	188
Movitec V 10	15	13	11	32,87 / 18,90	-	-	48896770	189.9
Movitec V 15	1	13	1,50	7,14 / 4,11	48896993	40.81	48897004	44.17
Movitec V 15	2	13	3,00	9,51 / 5,47	48896994	49.5	48897005	52.8
Movitec V 15	3	13	5,50	17,22 / 9,90	48896995	93.1	48897006	96.5



Size	Number of stages	Shaft seal code	Motor rating	Max. current	Oval flange Movitec V		Round flange Movitec VF	
			[kW]	[A]	Mat. No.	[kg]	Mat. No.	[kg]
Movitec V 15	4	13	7,50	23,29 / 13,29	48896996	98.1	48897007	101.4
Movitec V 15	5	13	7,50	23,29 / 13,29	48896997	99.1	48897008	102.4
Movitec V 15	6	13	11,00	32,87 / 18,90	48896998	176.5	48897009	179.8
Movitec V 15	7	13	11,00	32,87 / 18,90	48896999	177.5	48897010	180.8
Movitec V 15	8	13	15,00	43,48 / 25,58	-	-	48897000	191.8
Movitec V 15	9	13	15,00	43,48 / 25,58	-	-	48897001	193.3
Movitec V 15	10	13	15,00	43,48 / 25,58	-	-	48897002	194.3
Movitec V 15	11	13	18,50	60,90 / 35,68	-	-	48897003	215.4
1750 rpm								
Movitec V 25	1	13	3,00	5,55 / 11,50	-	-	48221000	74.7
Movitec V 25	2	13	7,50	13,29 / 25,52	-	-	48221001	110.8
Movitec V 25	3	13	11,00	18,90 / 36,90	-	-	48221002	191.9
Movitec V 25	4	13	15,00	25,58 / 49,93	-	-	48221003	204.5
Movitec V 25	5	13	15,00	25,58 / 49,93	-	-	48221004	210.1
Movitec V 25	6	13	18,50	35,68 / 60,89	-	-	48221005	229.7
Movitec V 25	7	13	22,00	38,10 / 72,28	-	-	48221006	278
1750 rpm								
Movitec V 15	1	13	0,55	2,30 / 1,32	48897171	34.4	48897182	37.8
Movitec V 15	2	13	0,55	2,30 / 1,32	48897172	34.8	48897183	38.1
Movitec V 15	3	13	0,55	2,30 / 1,32	48897173	35.7	48897184	39.1
Movitec V 15	4	13	0,75	3,04 / 1,75	48897174	37.7	48897185	41.1
Movitec V 15	5	13	0,75	4,10 / 2,36	48897175	40.88	48897186	44.24
Movitec V 15	6	13	1,10	4,10 / 2,36	48897176	41.8	48897187	45.2
Movitec V 15	7	13	1,10	5,52 / 3,17	48897177	44.82	48897188	48.17
Movitec V 15	8	13	1,50	5,52 / 3,17	48897178	46.1	48897189	49.4
Movitec V 15	9	13	1,50	5,52 / 3,17	48897179	47.6	48897190	51
Movitec V 15	10	13	1,50	8,06 / 4,64	48897180	56.12	48897191	59.47
Movitec V 15	11	13	2,20	8,06 / 4,64	48897181	57.1	48897192	60.5
1750 rpm								
Movitec V 25	1	13	1,10	2,00 / 4,35	-	-	48221032	63.2
Movitec V 25	2	13	1,10	2,00 / 4,35	-	-	48221033	65.8
Movitec V 25	3	13	1,10	2,00 / 4,35	-	-	48221034	68.3
Movitec V 25	4	13	1,50	3,02 / 6,54	-	-	48221035	72.9
Movitec V 25	5	13	2,20	4,91 / 9,79	-	-	48221036	84.6
Movitec V 25	6	13	2,20	4,91 / 9,79	-	-	48221037	87.1
Movitec V 25	7	13	3,00	5,86 / 11,66	-	-	48221038	90.7
Movitec V 25	8	13	3,00	5,86 / 11,66	-	-	48221039	95.8
Movitec V 25	9	13	4,00	7,64 / 15,53	-	-	48221264	109.5
Movitec V 25	10	13	4,00	7,64 / 15,53	-	-	48221265	112.2
Movitec V 25	11	13	4,00	7,64 / 15,53	-	-	48221266	114.9
Movitec V 25	12	13	4,00	7,64 / 15,53	-	-	48221267	117

**Movitec B, VS/VSF, "Easy Access" mechanical seal, 3~230/400 V, 60 Hz**

Movitec VS, "Easy Access" mechanical seal, with KSB standard motor IE2, 3~230/400 V

Size	Number of stages	Shaft seal code	Motor rating	Max. current	Oval flange Movitec VS		Round flange Movitec VSF	
			[kW]	[A]	Mat. No.	[kg]	Mat. No.	[kg]
3500 rpm								
Movitec VS 2	2	14	0,37	1,54 / 0,89	48894964	17	-	-
Movitec VS 2	3	14	0,37	1,54 / 0,89	48894965	17.4	-	-
Movitec VS 2	4	14	0,55	2,29 / 1,32	48894966	21.4	-	-
Movitec VS 2	5	14	0,75	2,94 / 1,69	48894967	21.8	-	-
Movitec VS 2	6	14	0,75	2,94 / 1,69	48894968	22.2	-	-
Movitec VS 2	7	14	1,10	4,14 / 2,38	48894969	25.1	-	-
Movitec VS 2	8	14	1,10	4,14 / 2,38	48894970	25.5	-	-
Movitec VS 2	9	14	1,10	4,14 / 2,38	48894971	25.9	-	-
Movitec VS 2	10	14	1,50	4,98 / 2,86	48894972	30	-	-
Movitec VS 2	11	14	1,50	4,98 / 2,86	48894973	30.4	-	-
Movitec VS 2	12	14	1,50	4,98 / 2,86	48894974	30.8	-	-
Movitec VS 2	14	14	2,20	7,14 / 4,11	48894975	37.8	-	-

Size	Number of stages	Shaft seal code	Motor rating	Max. current	Oval flange Movitec VS		Round flange Movitec VSF	
			[kW]	[A]	Mat. No.	[kg]	Mat. No.	[kg]
Movitec VS 2	16	14	2,20	7,14 / 4,11	-	-	48894976	38.2
Movitec VS 2	18	14	2,20	7,14 / 4,11	-	-	48894977	39
Movitec VS 2	20	14	3,00	9,51 / 5,47	-	-	48894978	49.2
Movitec VS 2	22	14	3,00	9,51 / 5,47	-	-	48894979	50
Movitec VS 4	2	14	0,55	2,29 / 1,32	48895056	18.7	-	-
Movitec VS 4	3	14	0,75	2,94 / 1,69	48895057	21	-	-
Movitec VS 4	4	14	1,10	4,14 / 2,38	48895058	23.9	-	-
Movitec VS 4	5	14	1,50	4,98 / 2,86	48895059	28	-	-
Movitec VS 4	6	14	1,50	4,98 / 2,86	48895060	28.4	-	-
Movitec VS 4	7	14	2,20	7,14 / 4,11	48895061	31.8	-	-
Movitec VS 4	8	14	2,20	7,14 / 4,11	48895062	32.3	-	-
Movitec VS 4	9	14	3,00	9,51 / 5,47	48895063	41.6	-	-
Movitec VS 4	10	14	3,00	9,51 / 5,47	48895064	42.5	-	-
Movitec VS 4	11	14	3,00	9,51 / 5,47	48895065	42.9	-	-
Movitec VS 4	12	14	4,00	12,49 / 7,18	48895066	55	-	-
Movitec VS 4	14	14	4,00	12,49 / 7,18	-	-	48895067	55.9
Movitec VS 4	16	14	5,50	17,22 / 9,90	-	-	48895068	72.8
Movitec VS 4	18	14	5,50	17,22 / 9,90	-	-	48895069	73.6
Movitec VS 6	2	14	0,75	2,94 / 1,69	48895142	20.6	-	-
Movitec VS 6	3	14	1,10	4,14 / 2,38	48895143	23.6	-	-
Movitec VS 6	4	14	1,50	4,98 / 2,86	48895144	27.7	-	-
Movitec VS 6	5	14	2,20	7,14 / 4,11	48895145	31.2	-	-
Movitec VS 6	6	14	2,20	7,14 / 4,11	48895146	31.6	-	-
Movitec VS 6	7	14	3,00	9,51 / 5,47	48895147	41.5	-	-
Movitec VS 6	8	14	3,00	9,51 / 5,47	48895148	42	-	-
Movitec VS 6	9	14	4,00	12,49 / 7,18	48895149	51.5	-	-
Movitec VS 6	10	14	4,00	12,49 / 7,18	48895150	52	-	-
Movitec VS 6	11	14	4,00	12,49 / 7,18	48895151	52.4	-	-
Movitec VS 6	12	14	5,50	17,22 / 9,90	-	-	48895152	72.5
Movitec VS 6	14	14	5,50	17,22 / 9,90	-	-	48895153	73.5
Movitec VS 6	16	14	7,50	23,29 / 13,29	-	-	48895154	103.5
Movitec VS 6	18	14	7,50	23,29 / 13,29	-	-	48895155	104.4
Movitec VS 10	1	14	0,75	2,94 / 1,69	48896771	31.5	-	-
Movitec VS 10	2	14	1,50	4,98 / 2,86	48896772	38.2	-	-
Movitec VS 10	3	14	2,20	7,14 / 4,11	48896773	42.7	-	-
Movitec VS 10	4	14	3,00	9,51 / 5,47	48896774	51.8	-	-
Movitec VS 10	5	14	3,00	12,49 / 7,18	48896775	53.4	-	-
Movitec VS 10	6	14	4,00	12,49 / 7,18	48896776	59.7	-	-
Movitec VS 10	7	14	5,50	17,22 / 9,90	48896777	98.5	-	-
Movitec VS 10	8	14	5,50	17,22 / 9,90	48896778	101.3	-	-
Movitec VS 10	9	14	5,50	23,29 / 13,29	48896779	107.21	-	-
Movitec VS 10	10	14	7,50	23,29 / 13,29	48896780	108.7	-	-
Movitec VS 10	11	14	7,50	23,29 / 13,29	-	-	48896781	112.5
Movitec VS 10	13	14	11,00	32,87 / 18,90	-	-	48896782	193.3
Movitec VS 10	15	14	11,00	32,87 / 18,90	-	-	48896783	196
Movitec VS 15	1	14	1,50	7,14 / 4,11	48897011	39.54	48897022	43.7
Movitec VS 15	2	14	3,00	9,51 / 5,47	48897012	48.2	48897023	52.3
Movitec VS 15	3	14	5,50	17,22 / 9,90	48897013	91.4	48897024	95.6
Movitec VS 15	4	14	7,50	23,29 / 13,29	48897014	95.9	48897025	100.1
Movitec VS 15	5	14	7,50	23,29 / 13,29	48897015	96.5	48897026	100.6
Movitec VS 15	6	14	11,00	32,87 / 18,90	48897016	173.4	48897027	177.6
Movitec VS 15	7	14	11,00	32,87 / 18,90	48897017	174	48897028	178.1
Movitec VS 15	8	14	15,00	43,48 / 25,58	-	-	48897018	188.7
Movitec VS 15	9	14	15,00	43,48 / 25,58	-	-	48897019	189.7
Movitec VS 15	10	14	15,00	43,48 / 25,58	-	-	48897020	190.3
Movitec VS 15	11	14	18,50	60,90 / 35,68	-	-	48897021	210.9
Movitec VS 25	1	14	3,00	5,55 / 11,50	-	-	48221064	74.8

Size	Number of stages	Shaft seal code	Motor rating	Max. current	Oval flange Movitec VS		Round flange Movitec VSF	
			[kW]	[A]	Mat. No.	[kg]	Mat. No.	[kg]
Movitec VS 25	2	14	7,50	13,29 / 25,52	-	-	48221065	110.9
Movitec VS 25	3	14	11,00	18,90 / 36,90	-	-	48221066	191.9
Movitec VS 25	4	14	15,00	25,58 / 49,93	-	-	48221067	204.5
Movitec VS 25	5	14	15,00	25,58 / 49,93	-	-	48221068	210.1
Movitec VS 25	6	14	18,50	35,68 / 60,89	-	-	48221069	229.7
Movitec VS 25	7	14	22,00	38,10 / 72,28	-	-	48221070	278
1750 rpm								
Movitec VS 15	1	14	0,55	2,30 / 1,32	48897193	33.2	48897204	37.3
Movitec VS 15	2	14	0,55	2,30 / 1,32	48897194	33.5	48897205	37.6
Movitec VS 15	3	14	0,55	2,30 / 1,32	48897195	34	48897206	38.2
Movitec VS 15	4	14	0,75	3,04 / 1,75	48897196	35.5	48897207	39.7
Movitec VS 15	5	14	0,75	4,10 / 2,36	48897197	38.28	48897208	42.44
Movitec VS 15	6	14	1,10	4,10 / 2,36	48897198	38.8	48897209	43
Movitec VS 15	7	14	1,10	5,52 / 3,17	48897199	41.34	48897210	45.49
Movitec VS 15	8	14	1,50	5,52 / 3,17	48897200	42.1	48897211	46.3
Movitec VS 15	9	14	1,50	5,52 / 3,17	48897201	43.2	48897212	47.4
Movitec VS 15	10	14	1,50	8,06 / 4,64	48897202	51.3	48897213	55.46
Movitec VS 15	11	14	2,20	8,06 / 4,64	48897203	51.9	48897214	56
Movitec VS 25	1	14	1,10	2,00 / 4,35	-	-	48221096	63.2
Movitec VS 25	2	14	1,10	2,00 / 4,35	-	-	48221097	65.8
Movitec VS 25	3	14	1,10	2,00 / 4,35	-	-	48221098	68.3
Movitec VS 25	4	14	1,50	3,02 / 6,54	-	-	48221099	72.9
Movitec VS 25	5	14	2,20	4,91 / 9,79	-	-	48221100	84.6
Movitec VS 25	6	14	2,20	4,91 / 9,79	-	-	48221101	87.1
Movitec VS 25	7	14	3,00	5,86 / 11,66	-	-	48221102	90.7
Movitec VS 25	8	14	3,00	5,86 / 11,66	-	-	48221103	95.8
Movitec VS 25	9	14	4,00	7,64 / 15,53	-	-	48221280	109.5
Movitec VS 25	10	14	4,00	7,64 / 15,53	-	-	48221281	112.2
Movitec VS 25	11	14	4,00	7,64 / 15,53	-	-	48221282	114.9
Movitec VS 25	12	14	4,00	7,64 / 15,53	-	-	48221283	117

**Movitec B, VCF, "Easy Access" mechanical seal, 3~230/400 V, 60 Hz**

Movitec VCF, "Easy Access" mechanical seal, with KSB standard motor IE2, 3~230/400 V

Size	Number of stages	Shaft seal code	Motor rating	Max. current	Mat. No.	[kg]
			[kW]	[A]		
3500 rpm						
Movitec VCF 2	2	23	0,37	1,54 / 0,89	48894900	21
Movitec VCF 2	3	23	0,37	1,54 / 0,89	48894901	21.4
Movitec VCF 2	4	23	0,55	2,29 / 1,32	48894902	25.5
Movitec VCF 2	5	23	0,75	2,94 / 1,69	48894903	25.9
Movitec VCF 2	6	23	0,75	2,94 / 1,69	48894904	26.3
Movitec VCF 2	7	23	1,10	4,14 / 2,38	48894905	29.2
Movitec VCF 2	8	23	1,10	4,14 / 2,38	48894906	29.6
Movitec VCF 2	9	23	1,10	4,14 / 2,38	48894907	30
Movitec VCF 2	10	23	1,50	4,98 / 2,88	48894908	34.1
Movitec VCF 2	11	23	1,50	4,98 / 2,88	48894909	34.5
Movitec VCF 2	12	23	1,50	4,98 / 2,88	48894910	34.9
Movitec VCF 2	14	23	2,20	7,14 / 4,11	48894911	39.1
Movitec VCF 2	16	23	2,20	7,14 / 4,11	48894912	39.5
Movitec VCF 2	18	23	2,20	7,14 / 4,11	48894913	40.4
Movitec VCF 2	20	23	3,00	9,51 / 5,47	48894914	50.6
Movitec VCF 2	22	23	3,00	9,51 / 5,47	48894915	51.4
Movitec VCF 4	2	23	0,55	2,29 / 1,32	48894996	22.8
Movitec VCF 4	3	23	0,75	2,94 / 1,69	48894997	25.1
Movitec VCF 4	4	23	1,10	4,14 / 2,38	48894998	28
Movitec VCF 4	5	23	1,50	4,98 / 2,86	48894999	32.1
Movitec VCF 4	6	23	1,50	4,98 / 2,86	48895000	32.5

Size	Number of stages	Shaft seal code	Motor rating	Max. current	Mat. No.	[kg]
			[kW]	[A]		
Movitec VCF 4	7	23	2,20	7,14 / 4,11	48895001	35.9
Movitec VCF 4	8	23	2,20	7,14 / 4,11	48895002	36.3
Movitec VCF 4	9	23	3,00	9,51 / 5,47	48895003	45.7
Movitec VCF 4	10	23	3,00	9,51 / 5,47	48895004	46.6
Movitec VCF 4	11	23	3,00	9,51 / 5,47	48895005	47
Movitec VCF 4	12	23	4,00	12,49 / 7,18	48895006	56.4
Movitec VCF 4	14	23	4,00	12,49 / 7,18	48895007	57.3
Movitec VCF 4	16	23	5,50	17,22 / 9,90	48895008	74.2
Movitec VCF 4	18	23	5,50	17,22 / 9,90	48895009	75
Movitec VCF 6	2	23	0,75	2,94 / 1,69	48895086	26.1
Movitec VCF 6	3	23	1,10	4,14 / 2,38	48895087	29
Movitec VCF 6	4	23	1,50	4,98 / 2,86	48895088	33.1
Movitec VCF 6	5	23	2,20	7,14 / 4,11	48895089	36.6
Movitec VCF 6	6	23	2,20	7,14 / 4,11	48895090	37.1
Movitec VCF 6	7	23	3,00	9,51 / 5,47	48895091	47
Movitec VCF 6	8	23	4,00	9,51 / 5,47	48895092	47.4
Movitec VCF 6	9	23	4,00	12,49 / 7,18	48895093	56.9
Movitec VCF 6	10	23	4,00	12,49 / 7,18	48895094	57.4
Movitec VCF 6	11	23	5,50	12,49 / 7,18	48895095	57.9
Movitec VCF 6	12	23	5,50	17,22 / 9,90	48895096	74.5
Movitec VCF 6	14	23	5,50	17,22 / 9,90	48895097	75.4
Movitec VCF 6	16	23	7,50	23,29 / 13,29	48895098	105.4
Movitec VCF 6	18	23	7,50	23,29 / 13,29	48895099	106.4
Movitec VCF 10	1	23	0,75	2,94 / 1,69	48896732	36.1
Movitec VCF 10	2	23	1,50	4,98 / 2,86	48896733	42.3
Movitec VCF 10	3	23	2,20	7,14 / 4,11	48896734	46.4
Movitec VCF 10	4	23	3,00	9,51 / 5,47	48896735	55
Movitec VCF 10	5	23	3,00	12,49 / 7,18	48896736	56.2
Movitec VCF 10	6	23	4,00	12,49 / 7,18	48896737	62.1
Movitec VCF 10	7	23	5,50	17,22 / 9,90	48896738	100.4
Movitec VCF 10	8	23	5,50	17,22 / 9,90	48896739	102.8
Movitec VCF 10	9	23	5,50	23,29 / 13,29	48896740	108.28
Movitec VCF 10	10	23	7,50	23,29 / 13,29	48896741	109.3
Movitec VCF 10	11	23	7,50	23,29 / 13,29	48896742	110.2
Movitec VCF 10	13	23	11,00	32,87 / 18,90	48896743	190.1
Movitec VCF 10	15	23	11,00	32,87 / 18,90	48896744	192
Movitec VCF 15	1	23	1,50	7,14 / 4,11	48896971	46.98
Movitec VCF 15	2	23	3,00	9,51 / 5,47	48896972	55.6
Movitec VCF 15	3	23	5,50	17,22 / 9,90	48896973	99.3
Movitec VCF 15	4	23	7,50	23,29 / 13,29	48896974	104.3
Movitec VCF 15	5	23	7,50	23,29 / 13,29	48896975	105.2
Movitec VCF 15	6	23	11,00	32,87 / 18,90	48896976	182.7
Movitec VCF 15	7	23	11,00	32,87 / 18,90	48896977	183.6
Movitec VCF 15	8	23	15,00	43,48 / 25,58	48896978	194.6
Movitec VCF 15	9	23	15,00	43,48 / 25,58	48896979	196.1
Movitec VCF 15	10	23	15,00	43,48 / 25,58	48896980	197.2
Movitec VCF 15	11	23	18,50	60,90 / 35,68	48896981	218.2
Movitec VCF 25	1	23	3,00	5,55 / 11,50	48221128	77.8
Movitec VCF 25	2	23	7,50	13,29 / 25,52	48221129	113.9
Movitec VCF 25	3	23	11,00	18,90 / 36,90	48221130	195
Movitec VCF 25	4	23	15,00	25,58 / 49,93	48221131	207.5
Movitec VCF 25	5	23	15,00	25,58 / 49,93	48221132	213.2
Movitec VCF 25	6	23	18,50	35,68 / 60,89	48221133	232.8
Movitec VCF 25	7	23	22,00	39,10 / 72,28	48221134	281.1
1750 rpm						
Movitec VCF 15	1	23	0,55	2,30 / 1,32	48897160	40.6
Movitec VCF 15	2	23	0,55	2,30 / 1,32	48897161	40.9
Movitec VCF 15	3	23	0,55	2,30 / 1,32	48897162	41.9

Size	Number of stages	Shaft seal code	Motor rating	Max. current	Mat. No.	[kg]
			[kW]	[A]		
Movitec VCF 15	4	23	0,75	3,04 / 1,75	48897163	43.9
Movitec VCF 15	5	23	0,75	4,10 / 2,36	48897164	47.05
Movitec VCF 15	6	23	1,10	4,10 / 2,36	48897165	48
Movitec VCF 15	7	23	1,10	5,52 / 3,17	48897166	50.99
Movitec VCF 15	8	23	1,50	5,52 / 3,17	48897167	52.2
Movitec VCF 15	9	23	1,50	5,52 / 3,17	48897168	53.8
Movitec VCF 15	10	23	1,50	8,06 / 4,64	48897169	62.29
Movitec VCF 15	11	23	2,20	8,06 / 4,64	48897170	63.3
Movitec VCF 25	1	23	1,10	2,00 / 4,35	48221160	66.3
Movitec VCF 25	2	23	1,10	2,00 / 4,35	48221161	68.9
Movitec VCF 25	3	23	1,10	2,00 / 4,35	48221162	71.4
Movitec VCF 25	4	23	1,50	3,02 / 6,54	48221163	76
Movitec VCF 25	5	23	2,20	4,91 / 9,79	48221164	87.7
Movitec VCF 25	6	23	2,20	4,91 / 9,79	48221165	90.2
Movitec VCF 25	7	23	3,00	5,86 / 11,66	48221166	93.8
Movitec VCF 25	8	23	3,00	5,86 / 11,66	48221167	98.9
Movitec VCF 25	9	23	4,00	7,64 / 15,53	48221296	112.6
Movitec VCF 25	10	23	4,00	7,64 / 15,53	48221297	115.3
Movitec VCF 25	11	23	4,00	7,64 / 15,53	48221298	118
Movitec VCF 25	12	23	4,00	7,64 / 15,53	48221299	120

**Movitec B, VF 90, "Easy Access" mechanical seal, 3~230/400 V, 60 Hz**

Movitec VF 90, "Easy Access" mechanical seal, 3~230/400 V

Size	Number of stages	Shaft seal code	Motor rating	Max. current	Mat. No.	[kg]
			[kW]	[A]		
3420 rpm						
Movitec VF 90	1-1	13	11,00	20,3 / 11,7	48890024	218.4
Movitec VF 90	1	13	15,00	26,7 / 15,4	48890023	227.6
Movitec VF 90	2-2	13	18,50	33,7 / 19,5	48890027	251.8
Movitec VF 90	2-1	13	22,00	39,8 / 23,0	48890026	287.8
Movitec VF 90	2	13	30,00	52,8 / 30,5	48890025	384.7
Movitec VF 90	3-2	13	30,00	52,8 / 30,5	48890030	394.2
Movitec VF 90	3-1	13	37,00	64,5 / 37,3	48890029	425.3
Movitec VF 90	3	13	45,00	78,2 / 45,2	48890028	593.8
Movitec VF 90	4-2	13	45,00	78,2 / 45,2	48890031	595.6

**Movitec B, VSF 90, "Easy Access" mechanical seal, 3~230/400 V, 60 Hz**

Movitec VSF 90, "Easy Access" mechanical seal, 3~230/400 V

Size	Number of stages	Shaft seal code	Motor rating	Max. current	Mat. No.	[kg]
			[kW]	[A]		
3420 rpm						
Movitec VSF 90	1-1	14	11,00	20,3 / 11,7	48890076	219.2
Movitec VSF 90	1	14	15,00	26,7 / 15,4	48890075	228.3
Movitec VSF 90	2-2	14	18,50	33,7 / 19,5	48890079	251.8
Movitec VSF 90	2-1	14	22,00	39,8 / 23,0	48890078	287.8
Movitec VSF 90	2	14	30,00	52,8 / 30,5	48890077	384.7
Movitec VSF 90	3-2	14	30,00	52,8 / 30,5	48890082	394.2
Movitec VSF 90	3-1	14	37,00	64,5 / 37,3	48890081	425.3
Movitec VSF 90	3	14	45,00	78,2 / 45,2	48890080	593.8
Movitec VSF 90	4-2	14	45,00	78,2 / 45,2	48890083	595.4

**Movitec B, VCF 90, "Easy Access" mechanical seal, 3~230/400 V, 60 Hz**

Movitec VCF 90, "Easy Access" mechanical seal, 3~230/400 V

Size	Number of stages	Shaft seal code	Motor rating	Max. current	Mat. No.	[kg]
			[kW]	[A]		
3420 rpm						
Movitec VCF 90	1-1	23	11,00	20,3 / 11,7	48890050	219.6
Movitec VCF 90	1	23	15,00	26,7 / 15,4	48890049	228.7
Movitec VCF 90	2-2	23	18,50	33,7 / 23,5	48890053	253
Movitec VCF 90	2-1	23	22,00	39,8 / 23,0	48890052	289
Movitec VCF 90	2	23	30,00	52,8 / 30,5	48890051	385.8
Movitec VCF 90	3-2	23	30,00	52,8 / 30,5	48890056	395.3
Movitec VCF 90	3-1	23	37,00	64,5 / 37,3	48890055	426.4
Movitec VCF 90	3	23	45,00	78,2 / 45,2	48890054	595
Movitec VCF 90	4-2	23	45,00	78,2 / 45,2	48890057	596.7

**Types of connection**

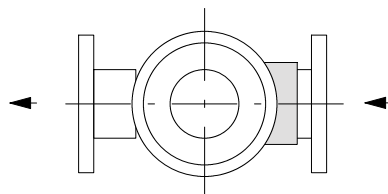
Version B

Description	Oval flange		Round flange			External thread	Victaulic coupling	Tri-clamp coupling
	Movitec V	Movitec VS	Movitec VF	Movitec VCF	Movitec VSF			
Standard	ISO 228-1		EN 1092-1/EN 1092-2 ASME B 16.1 JIS			ISO 228-1	-	DIN 32676
Material	1.4308	1.4408	JS 1030	JL 1040	1.4308	JS 1030	1.4408	1.4408
Max. pressure class	PN 16		PN 40			PN 16	PN 40	PN 16

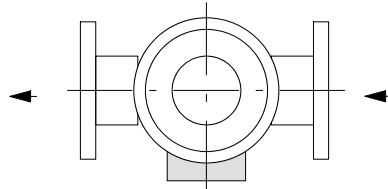
**Terminal box positions**

Top view of terminal box positions

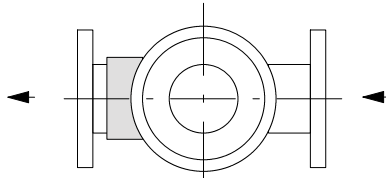
P3 = Position 3  
Standard Movitec V/  
Standard Movitec VS



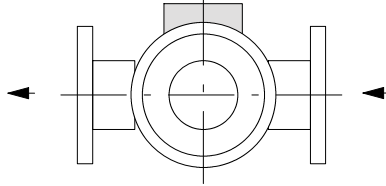
P6 = Position 6



P9 = Position 9  
Standard Movitec VME

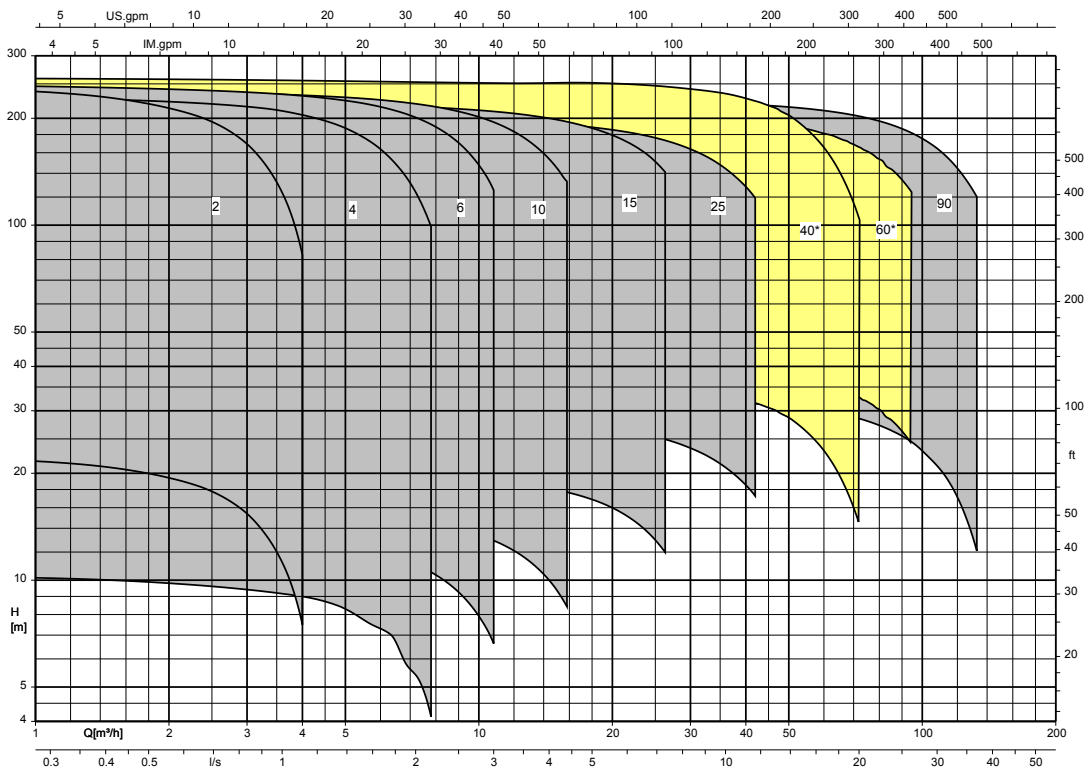


P12 = Position 12  
Not for Movitec VME



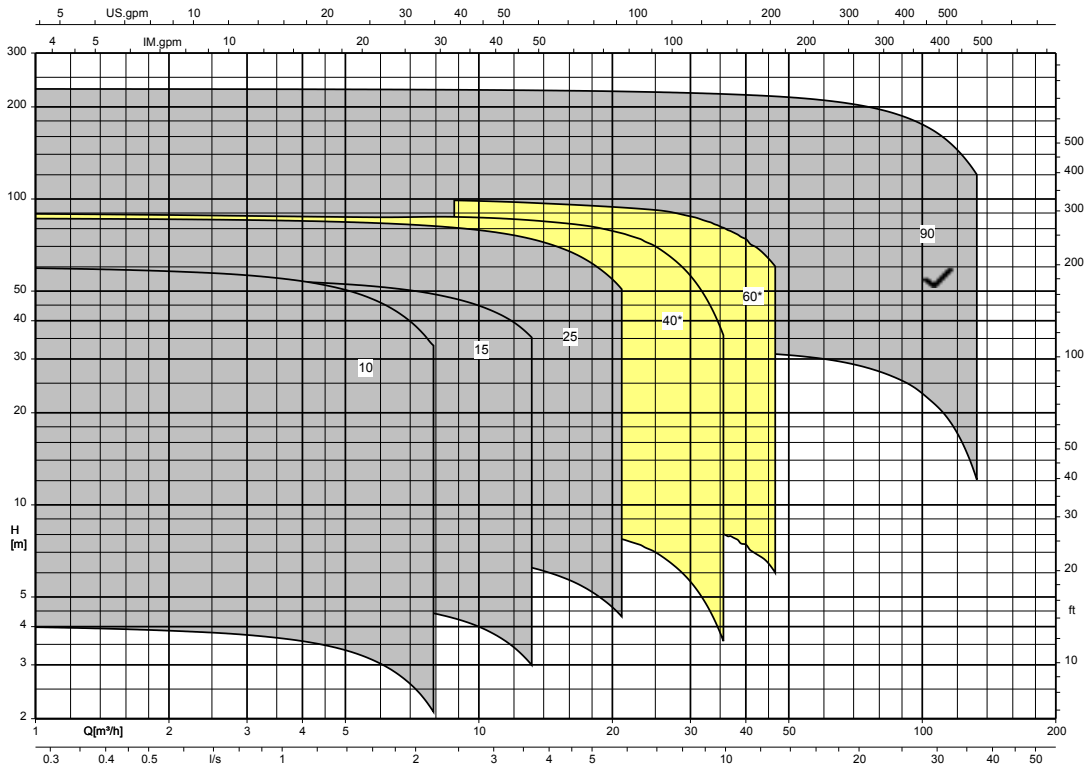
Selection charts

Movitec B; n = 3500 rpm



\* Available from mid-2014

Movitec B; n = 1750 rpm



\* Available from mid-2014

**Characteristic curves**

The characteristic curves are based on the following principles:

- Tolerances to ISO 9906 Class 2 / Annex A

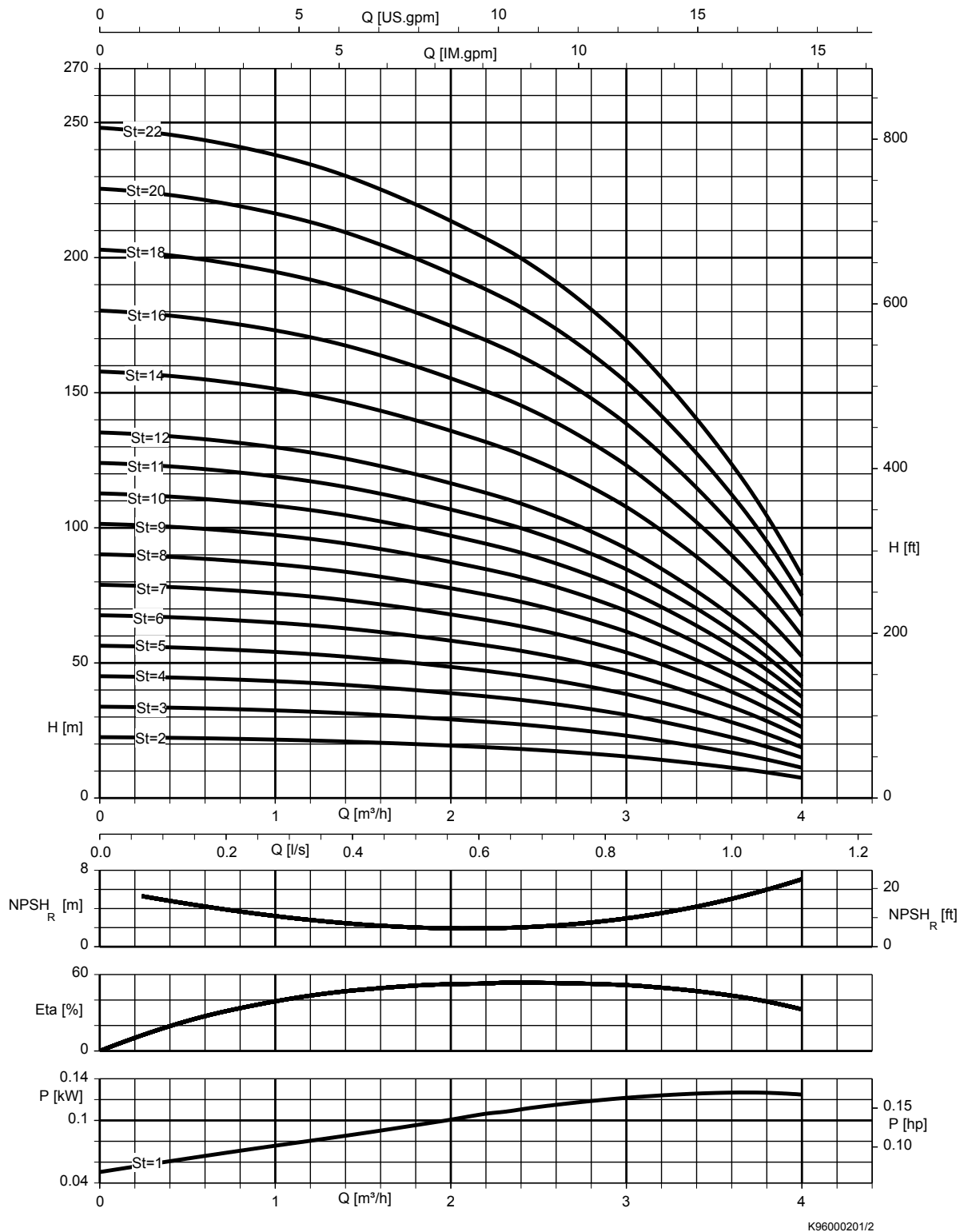
The characteristic curves were measured under the following conditions:

- Motor used:
  - Standardized KSB motor with integrated frequency inverter
- Fluid properties:
  - Deaerated water
  - Temperature: 20 °C
  - Density: 1.0 kg/dm³
  - Kinematic viscosity: 1 mm²/s



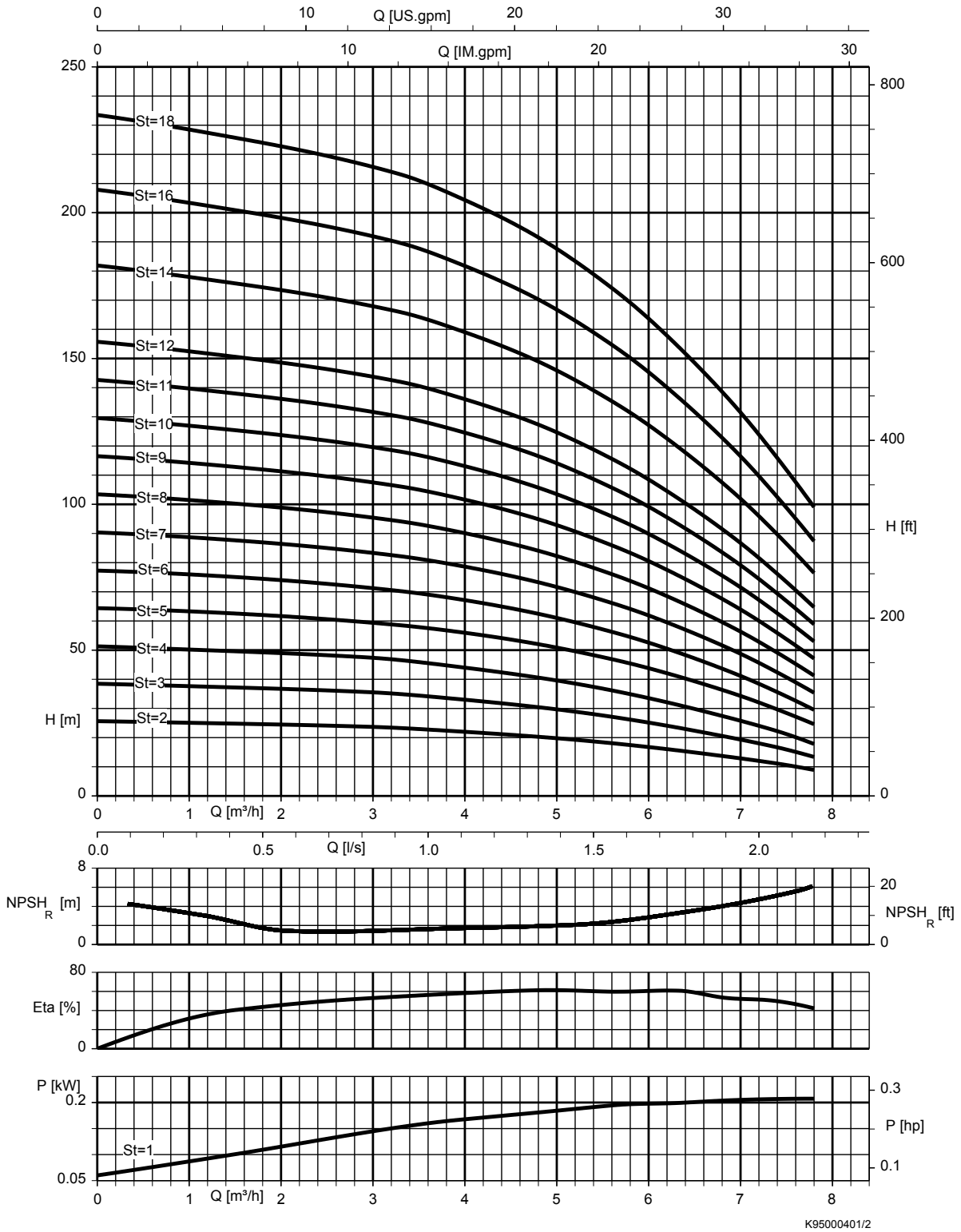
n = 3500 rpm

Movitec B; 2; n = 3500 rpm



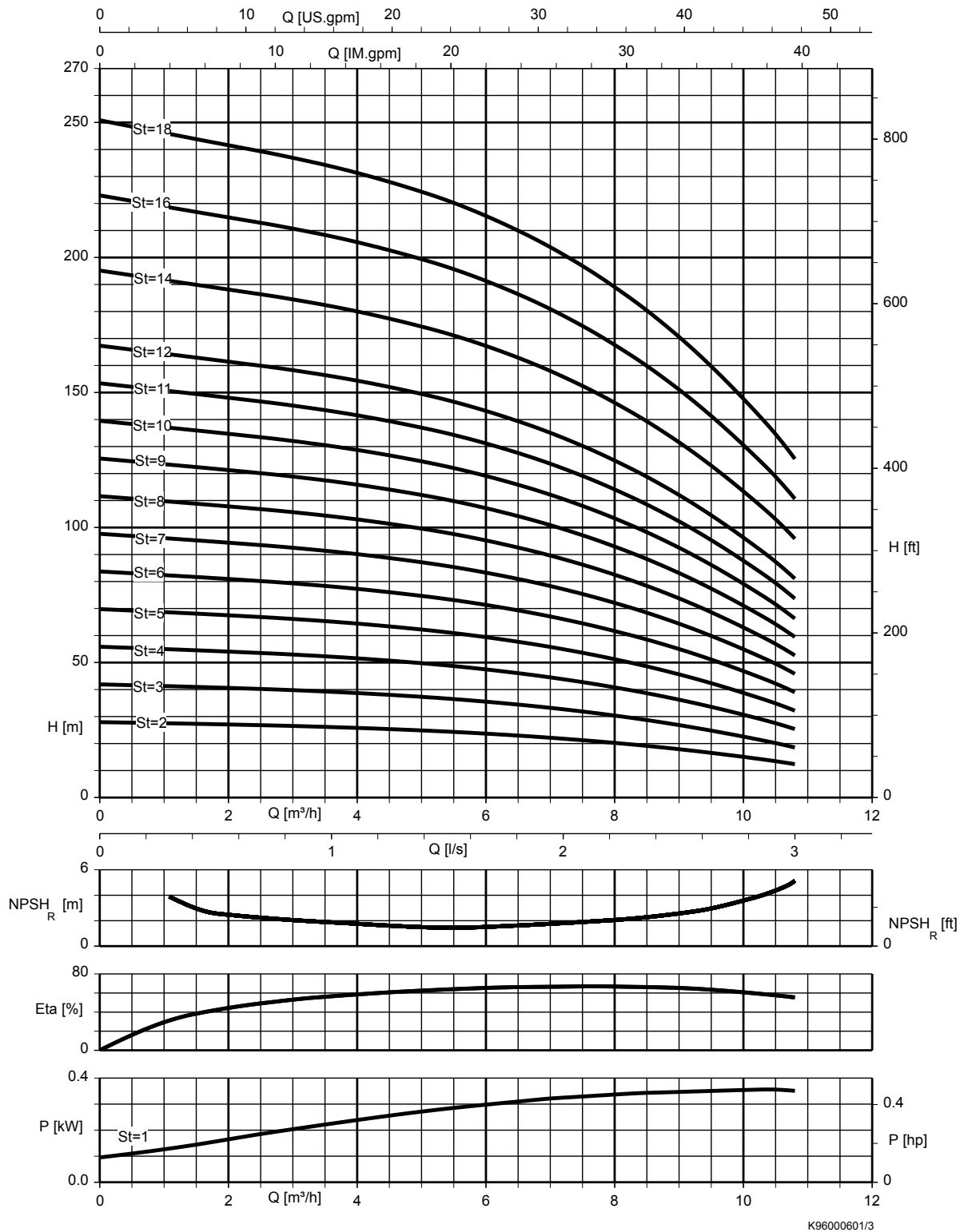
St =	Number of stages
The power input P is indicated per stage	

Movitec B; 4; n = 3500 rpm



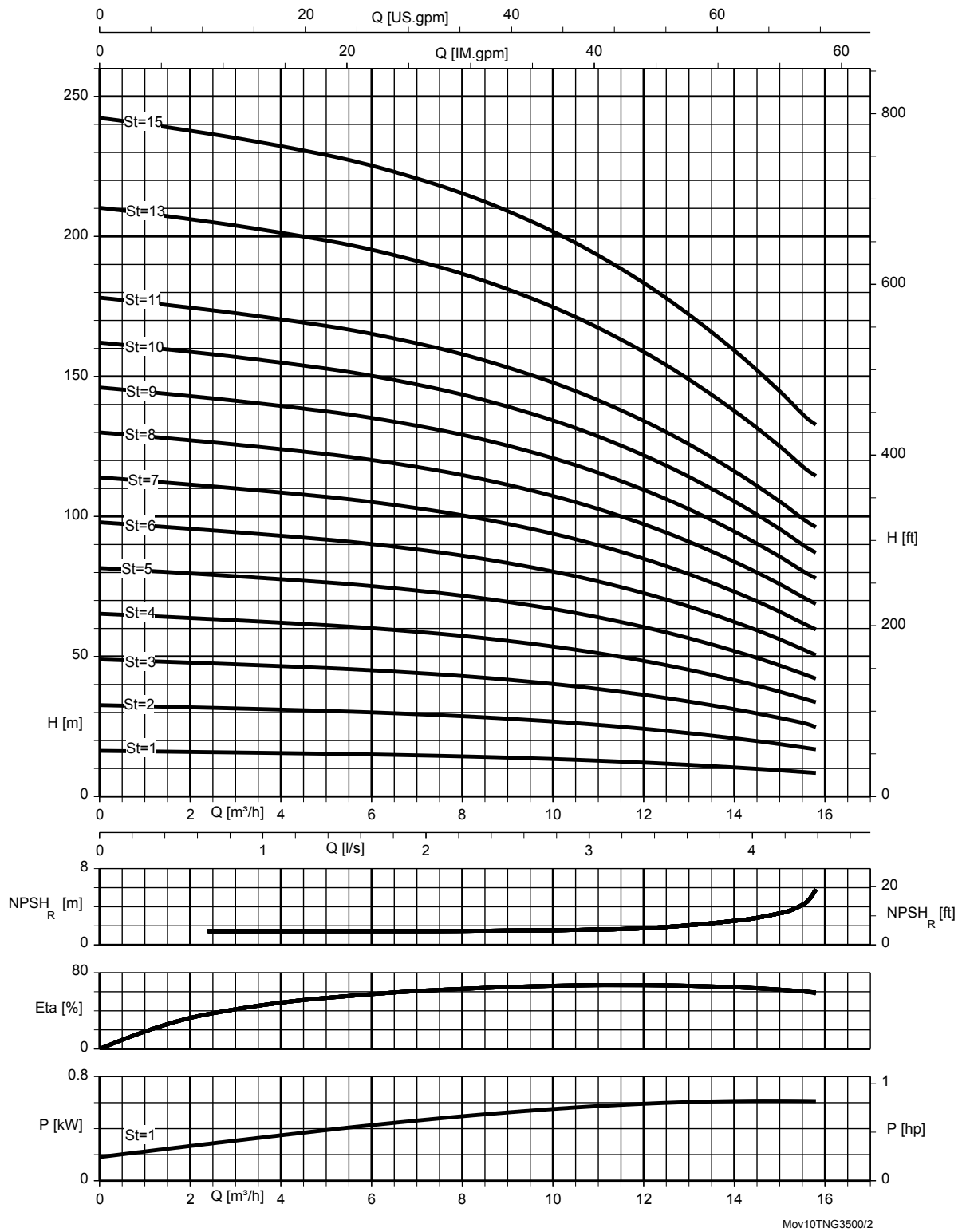
St =	Number of stages
The power input P is indicated per stage	

Movitec B; 6; n = 3500 rpm



St =	Number of stages
The power input P is indicated per stage	

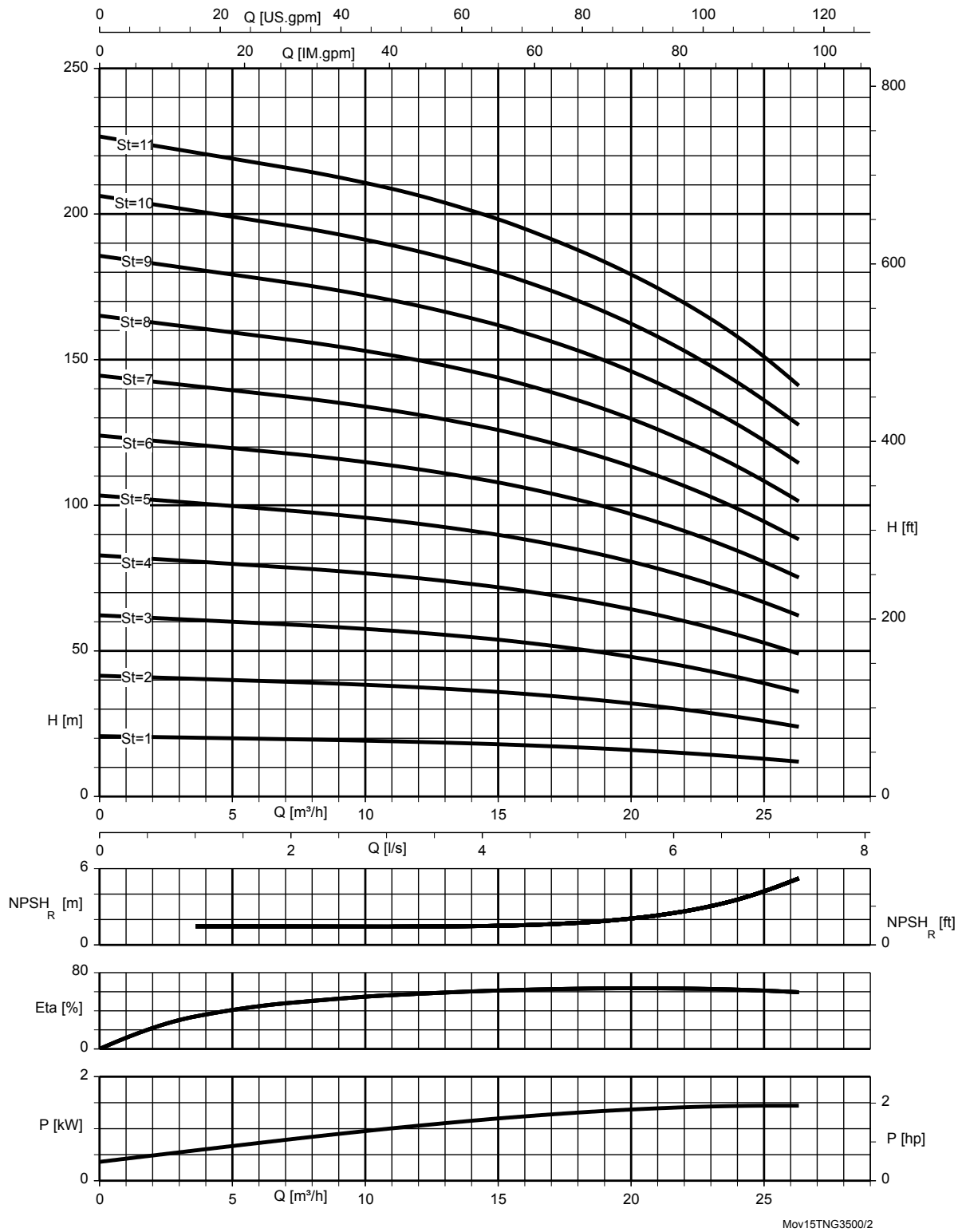
Movitec B; 10; n = 3500 rpm



Mov10TNG3500/2

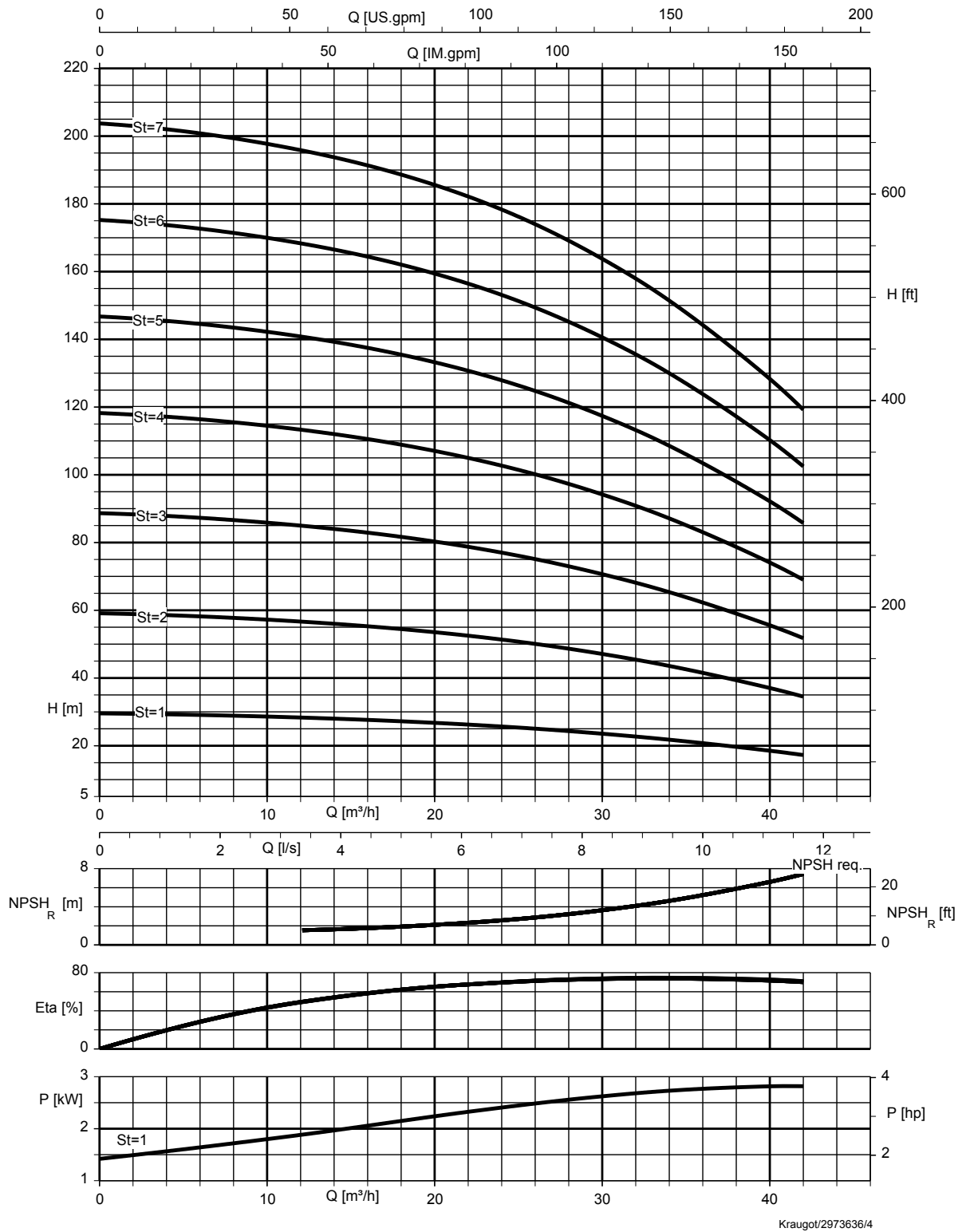
St =	Number of stages
The power input P is indicated per stage	

Movitec B; 15; n = 3500 rpm



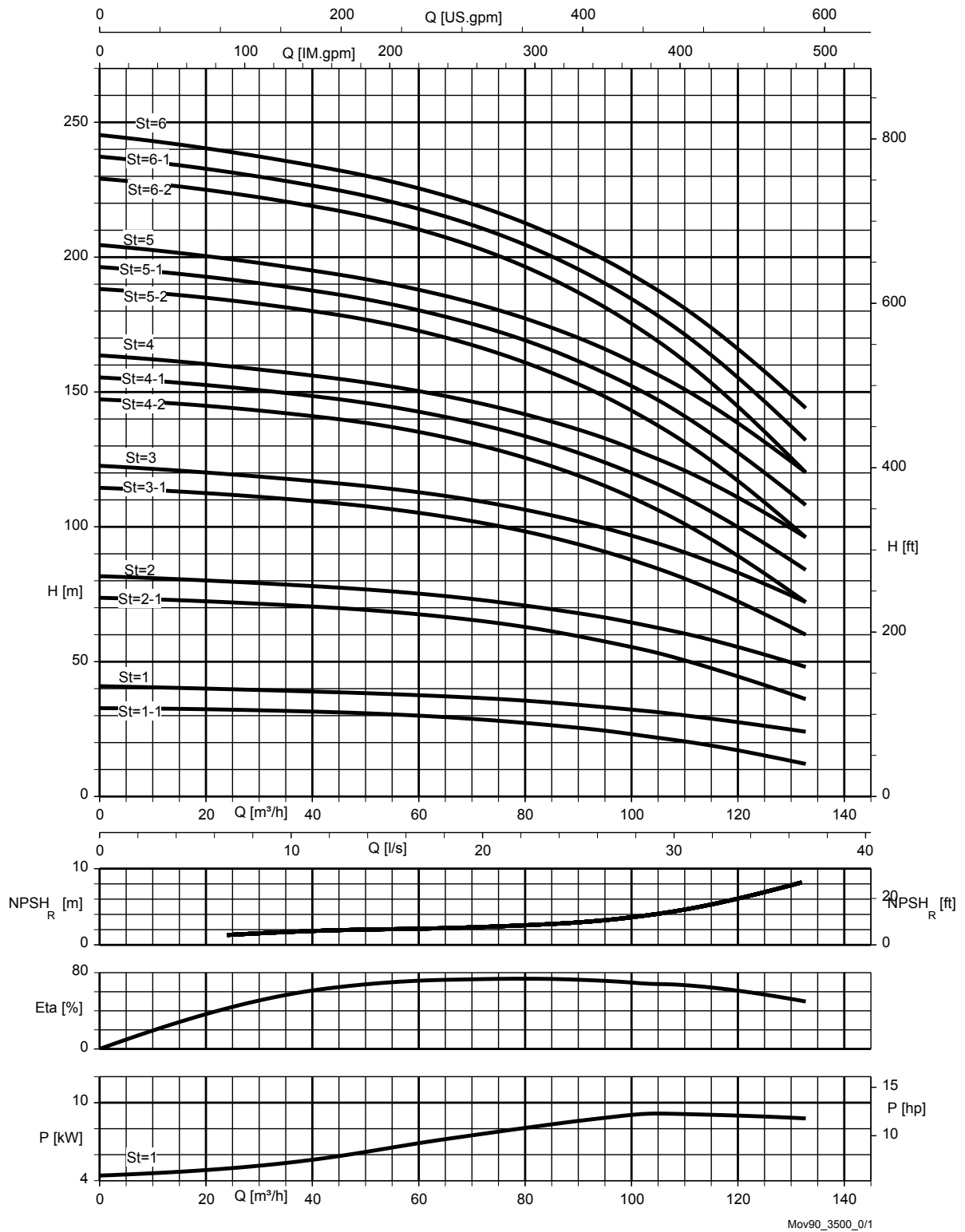
St =	Number of stages
The power input P is indicated per stage	

Movitec B; 25; n = 3500 rpm



St =	Number of stages
The power input P is indicated per stage	

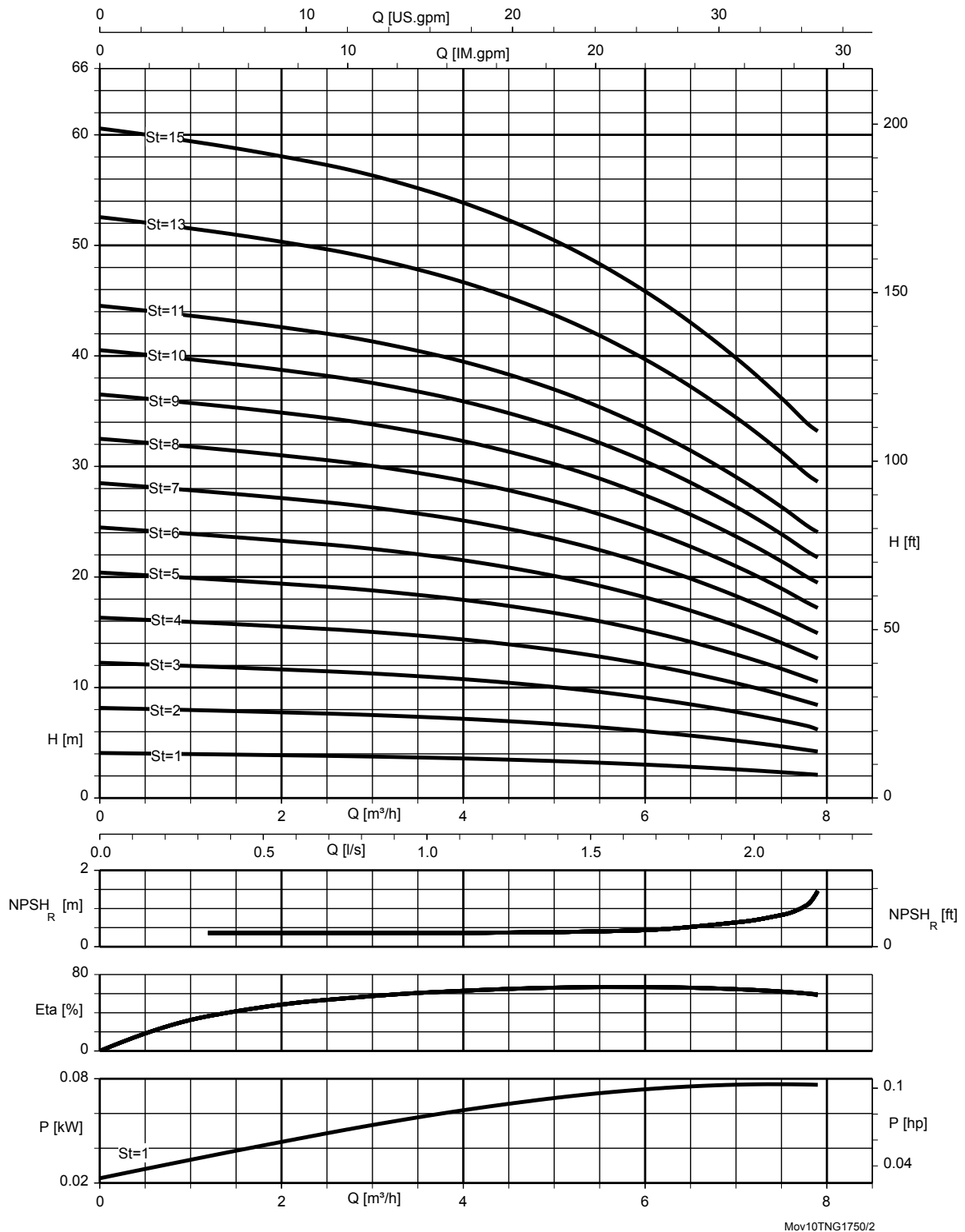
Movitec B; 90; n = 3500 rpm



St =	Number of stages
The power input P is indicated per stage	

n = 1750 rpm

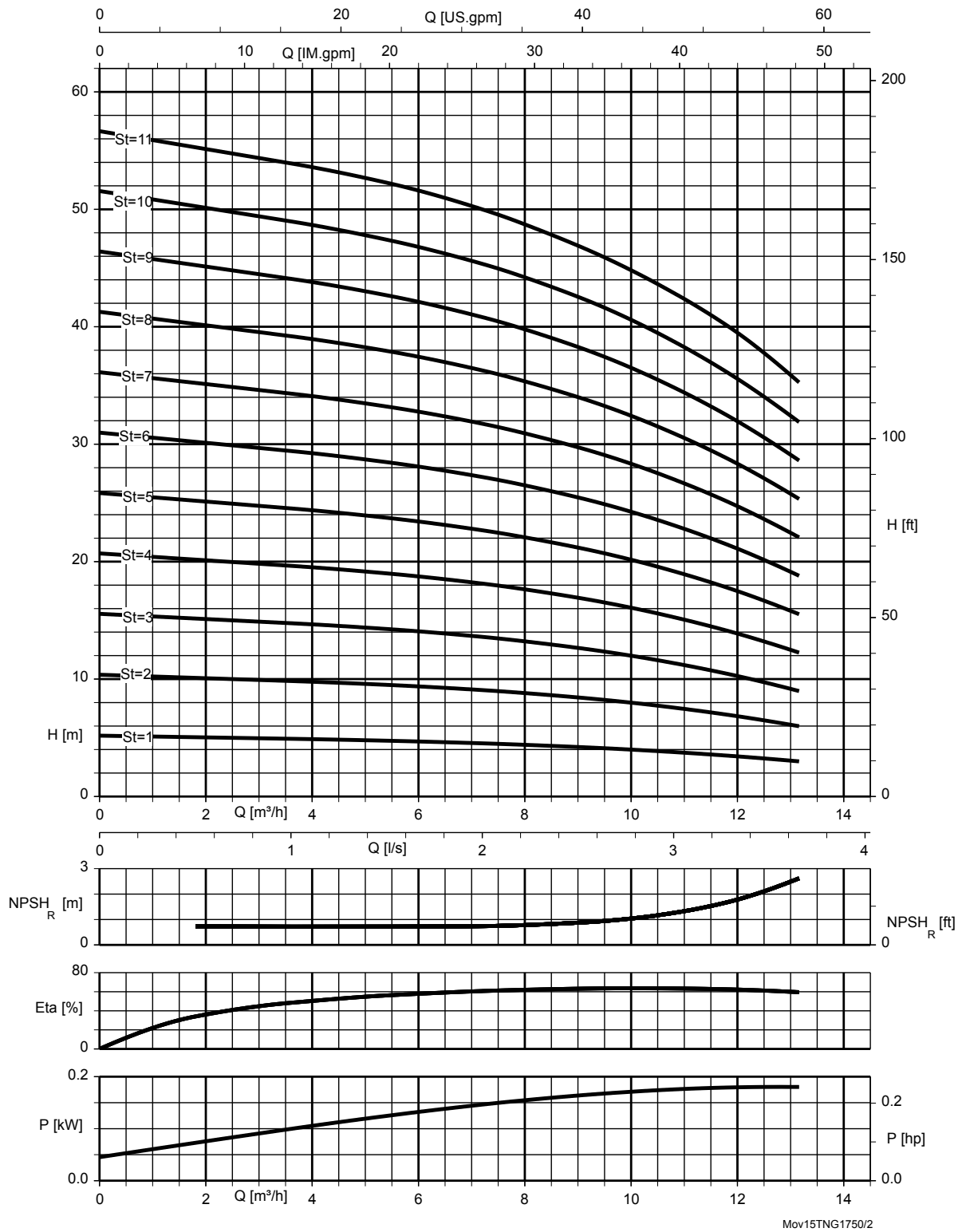
Movitec B; 10; n = 1750 rpm



St =	Number of stages
The power input P is indicated per stage	

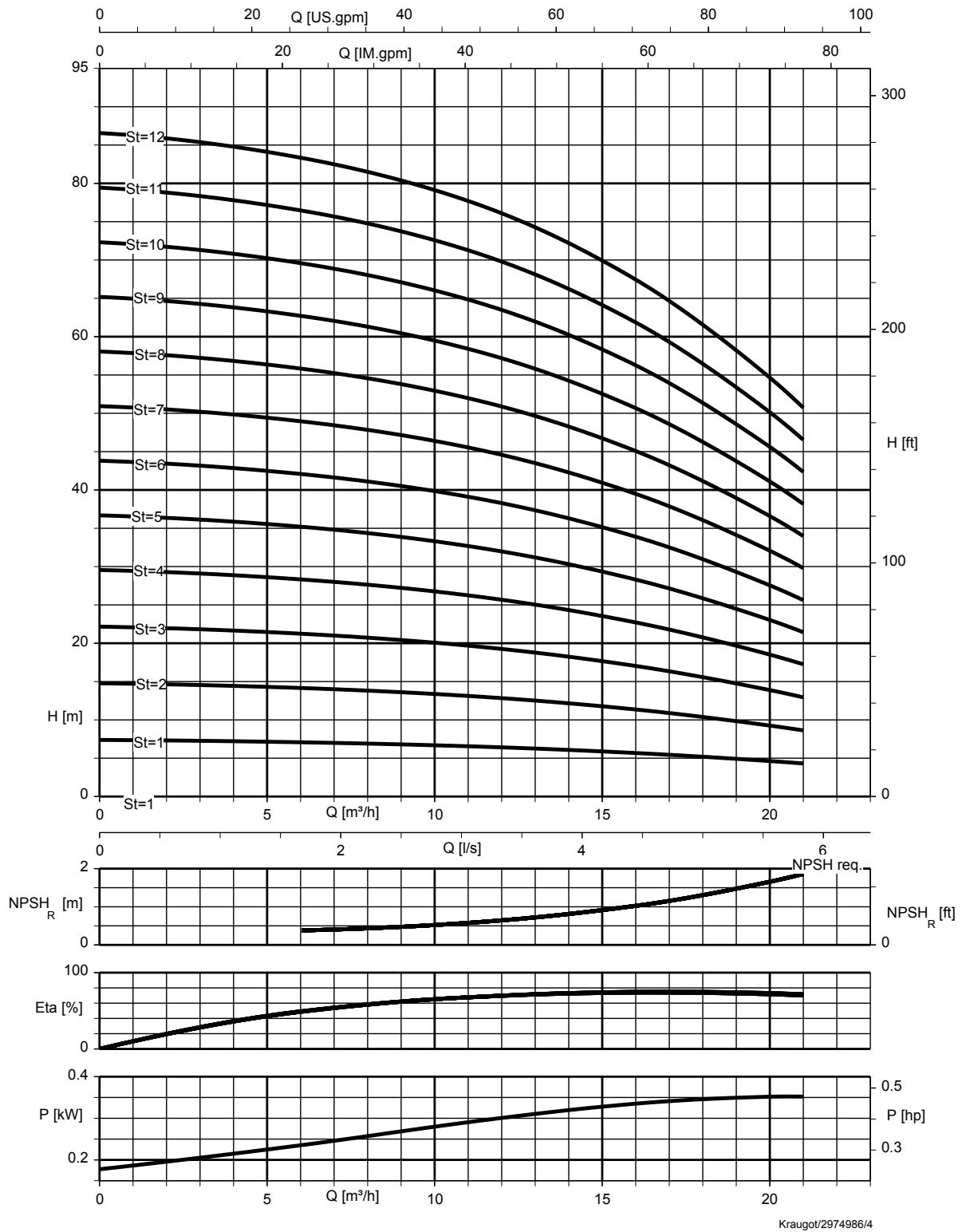


Movitec B; 15; n = 1750 rpm



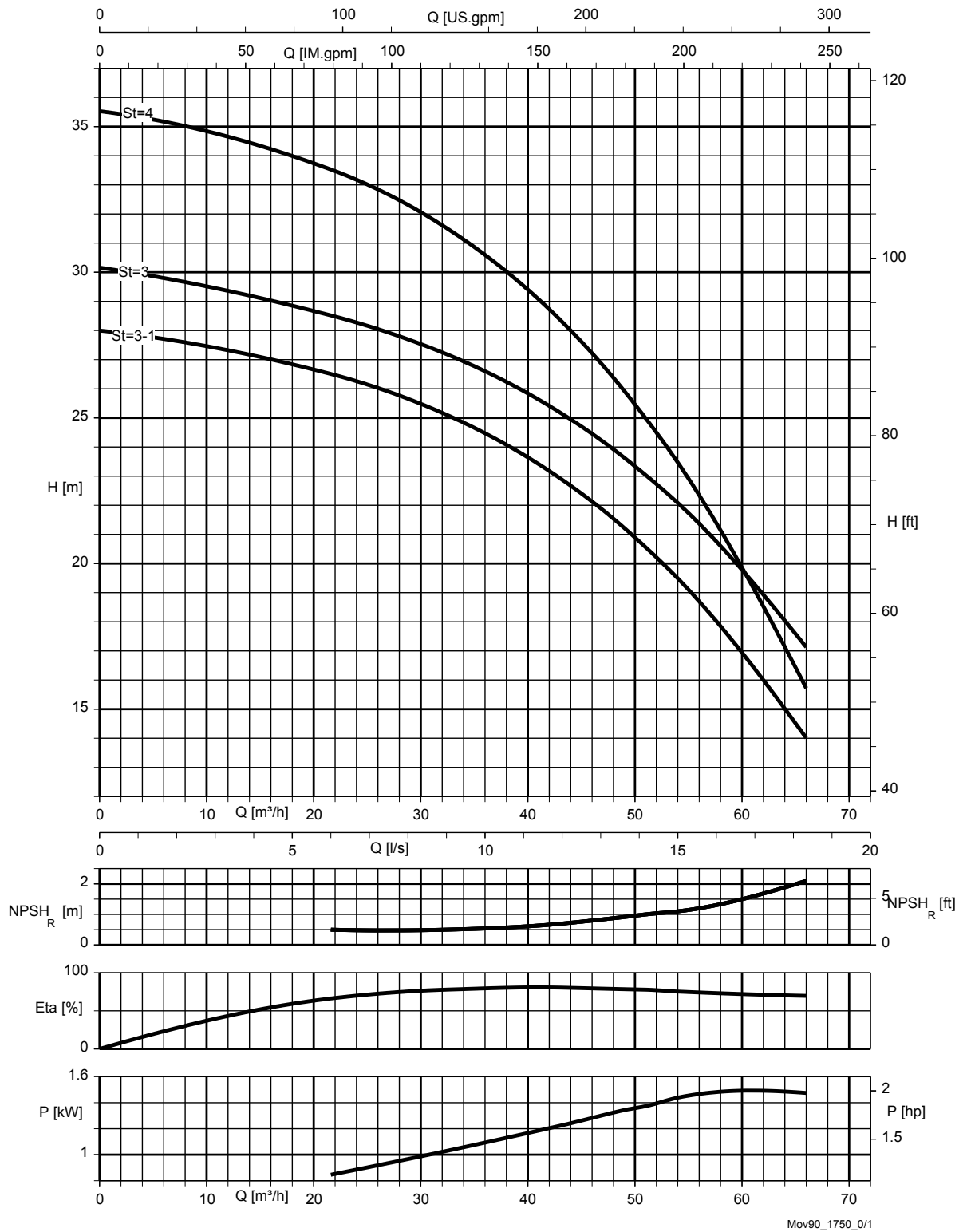
St =	Number of stages
The power input P is indicated per stage	

Movitec B; 25; n = 1750 rpm



St =	Number of stages
The power input P is indicated per stage	

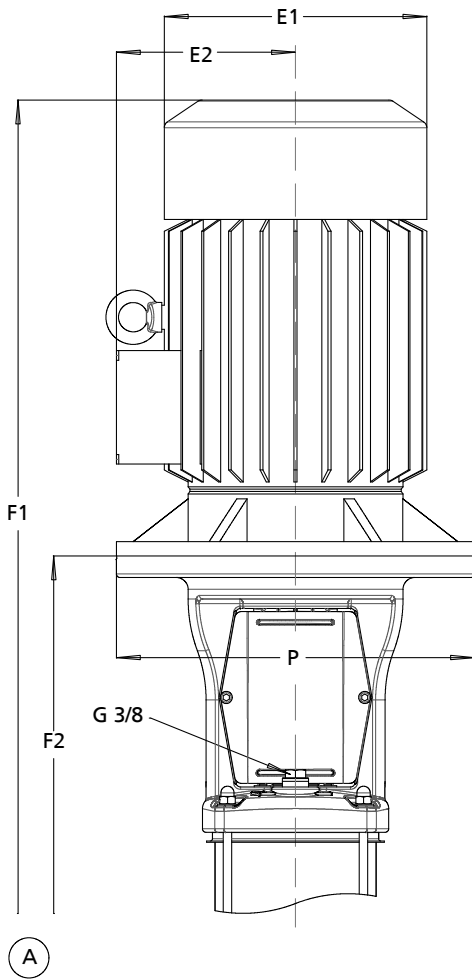
Movitec B; 90; n = 1750 rpm



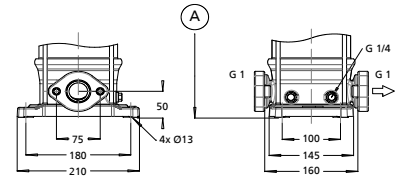
St =	Number of stages
The power input P is indicated per stage	

### Dimensions

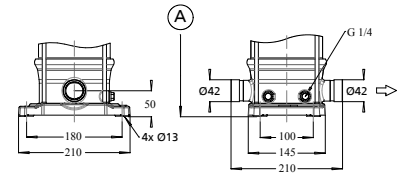
#### Movitec B, V 2, n = 3500 rpm



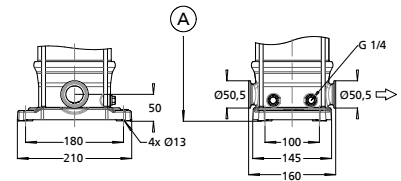
Movitec V/  
Movitec VS  
Oval flange  
Size: G 1



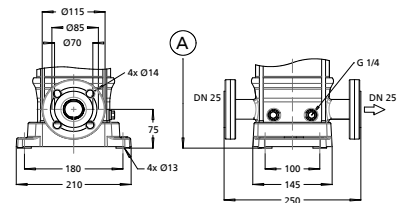
Movitec VV/  
Movitec VSV  
Victaulic  
Size: 42.2



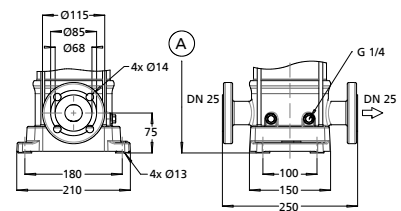
Movitec VT/  
Movitec VST  
Tri-clamp  
Size: DN 32



Movitec VF/  
Movitec VSF  
Round flange  
Size: DN 25



Movitec VCF  
Round flange  
Size: DN 25



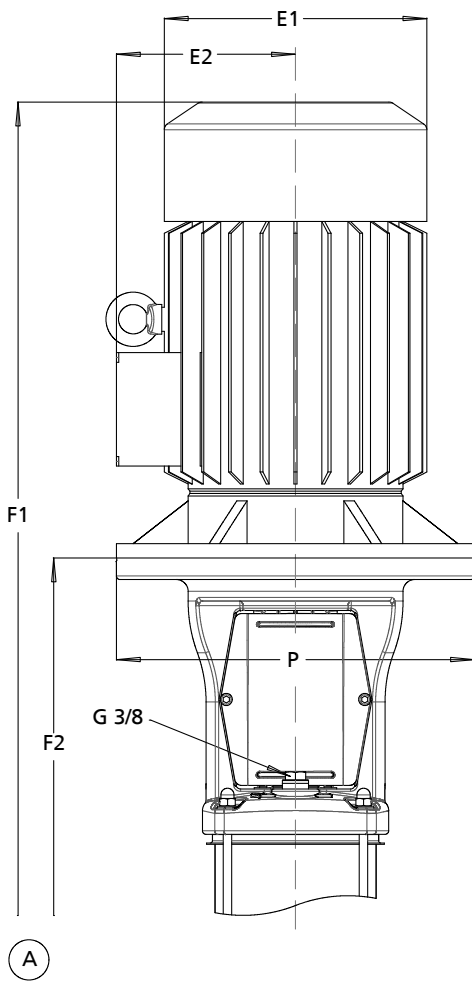
### Dimensions

V 2	E1	E2	p <sup>17)</sup>	Oval flange/ Tri-clamp/ Victaulic		Round flange	
				F1	F2	F1	F2
<b>Stages</b>	<b>[mm]</b>						
2	138	109	-	472	259	497	284
3	138	109	-	493	280	518	305
4	138	109	-	515	302	540	327
5	138	109	-	536	323	561	348
6	138	109	-	558	345	583	370
7	138	109	-	579	366	604	391
8	138	109	-	601	388	626	413
9	160	150	-	676	419	701	444
10	160	150	-	698	441	723	466
11	160	150	-	719	462	744	487
12	160	150	-	741	484	766	509
14	160	150	-	784	527	809	552
16	185	160	-	833	580	858	605

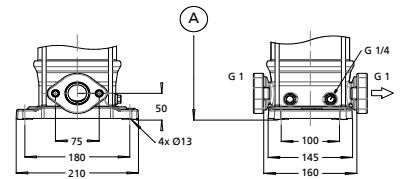
V 2	E1	E2	P	Oval flange/ Tri-clamp/ Victaulic		Round flange	
				F1	F2	F1	F2
<b>Stages</b>	<b>[mm]</b>						
18	185	160	-	876	623	901	648
20	185	160	-	919	666	944	691
22	185	160	-	-	-	1016	734
24	185	160	-	-	-	1059	777
26	185	160	-	-	-	1102	820
28	185	160	-	-	-	1145	863
30	185	160	-	-	-	1188	906

<sup>17)</sup> Dimensions relevant for motors > 5.5 kW

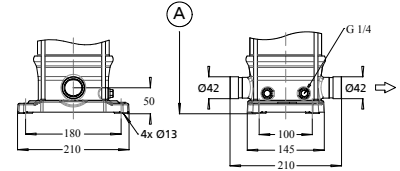
### Movitec B, V 4, n = 3500 rpm



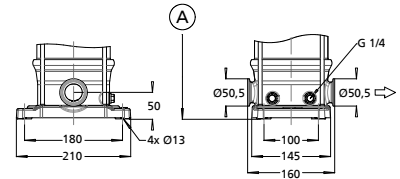
Movitec V/  
Movitec VS  
Oval flange  
Size: G 1



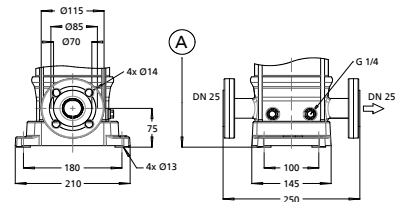
Movitec VV/  
Movitec VSV  
Victaulic  
Size: 42.2



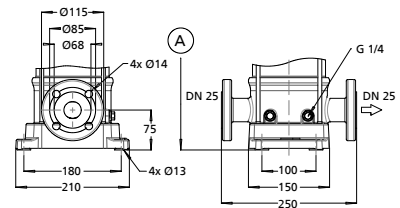
Movitec VT/  
Movitec VST  
Tri-clamp  
Size: DN 32



Movitec VF/  
Movitec VSF  
Round flange  
Size: DN 25



Movitec VCF  
Round flange  
Size: DN 25



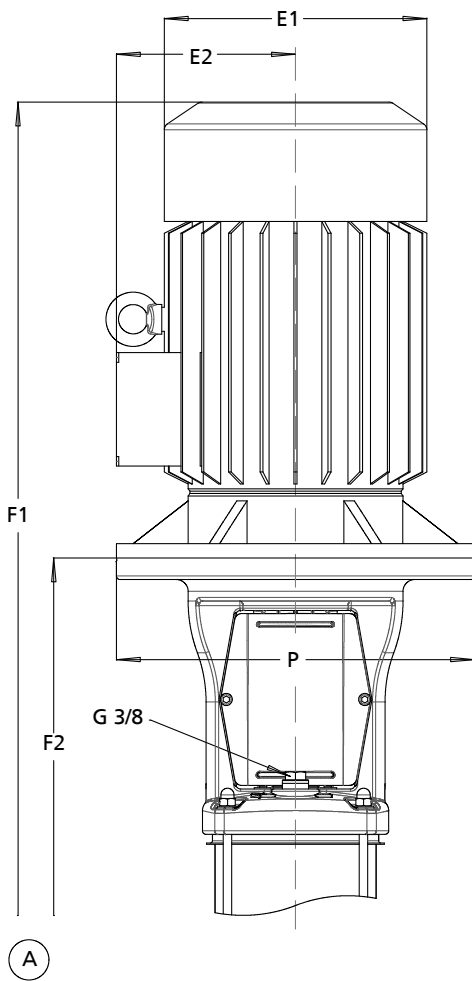
#### Dimensions

V 4	E1	E2	p <sup>18)</sup>	Oval flange/ Tri-clamp/ Victaulic		Round flange	
				F1	F2	F1	F2
<b>Stages</b>	<b>[mm]</b>						
2	138	109	-	472	259	497	284
3	138	109	-	493	280	518	305
4	138	109	-	515	302	540	327
5	160	150	-	590	333	615	358
6	160	150	-	612	355	637	380
7	160	150	-	633	376	658	401
8	185	160	-	661	408	686	433
9	185	160	-	682	429	707	454
10	185	160	-	704	451	729	476
11	185	160	-	754	472	779	497
12	185	160	-	776	494	801	519
14	185	160	-	819	537	844	562
16	205	175	-	904	590	929	615
18	205	175	-	-	-	972	658
20	205	175	-	-	-	1015	701
22	220	190	-	-	-	1067	744

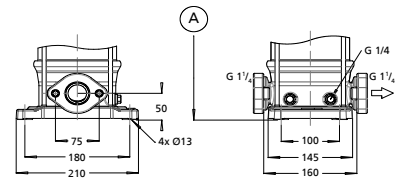
V 4	E1	E2	P]	Oval flange/ Tri-clamp/ Victaulic		Round flange	
				F1	F2	F1	F2
<b>Stages</b>	<b>[mm]</b>						
24	220	190	-	-	-	1110	787
26	220	190	-	-	-	1153	830

18) Dimensions relevant for motors > 5.5 kW

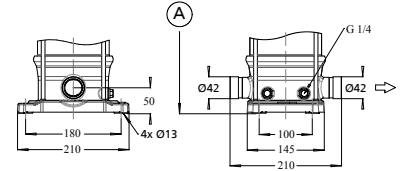
Movitec B, V 6, n = 3500 rpm



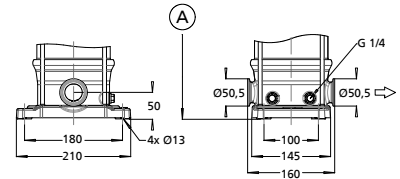
Movitec V/  
Movitec VS  
Oval flange  
Size: G 1 1/4



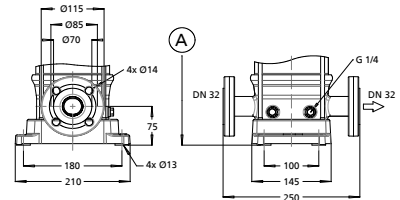
Movitec VV/  
Movitec VSV  
Victaulic  
Size: 42.2



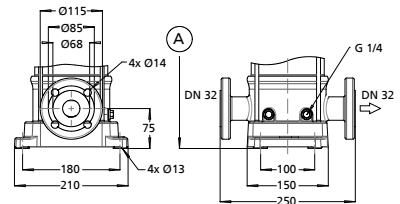
Movitec VT/  
Movitec VST  
Tri-clamp  
Size: DN 32



Movitec VF/  
Movitec VSF  
Round flange  
Size: DN 32



Movitec VCF  
Round flange  
Size: DN 32



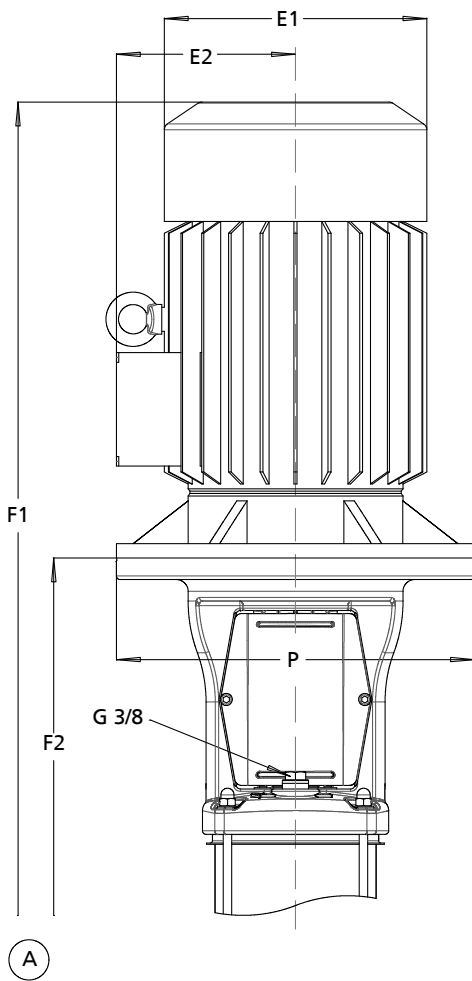
Dimensions

V 6	E1	E2	p <sup>19)</sup>	Oval flange/ Tri-clamp/ Victaulic		Round flange	
				F1	F2	F1	F2
<b>Stages</b>	<b>[mm]</b>						
2	138	109	-	479	266	504	291
3	160	150	-	558	301	563	326
4	160	150	-	583	326	608	351
5	160	150	-	608	351	633	376
6	185	160	-	639	386	664	411
7	185	160	-	664	411	689	436
8	185	160	-	718	436	743	461
9	185	160	-	743	461	768	486
10	185	160	-	768	486	793	511
11	205	175	-	835	521	860	546
12	205	175	-	860	546	885	571
14	205	175	-	910	596	935	621
16	220	190	-	869	646	994	671
18	220	190	-	-	-	1044	721
20	260	220	-	-	-	1193	847
22	260	220	-	-	-	1243	897

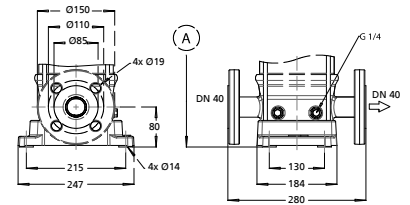
V 6	E1	E2	P	Oval flange/ Tri-clamp/ Victaulic		Round flange	
				F1	F2	F1	F2
<b>Stages</b>	<b>[mm]</b>						
24	260	220	-	-	-	1293	947
26	260	220	-	-	-	1343	997

<sup>19)</sup> Dimensions relevant for motors > 5.5 kW

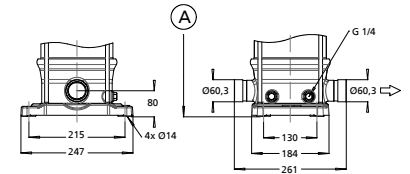
## Movitec B, V 10, n = 1750 rpm



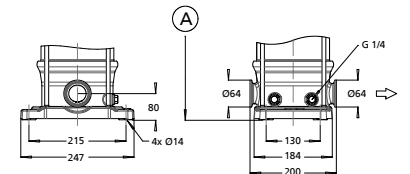
Movitec V/  
Movitec VS  
Oval flange  
Size: G 1 ½



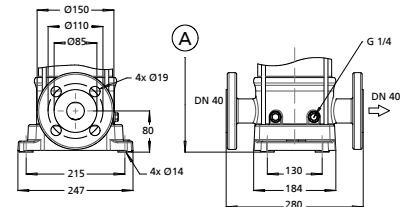
Movitec VV/  
Movitec VSV  
Victaulic  
Size: 60.3



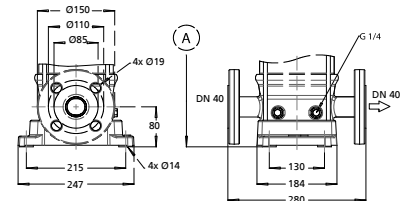
Movitec VT/  
Movitec VST  
Tri-clamp  
Size: DN 50



Movitec VF/  
Movitec VSF  
Round flange  
Size: DN 40



Movitec VCF  
Round flange  
Size: DN 40

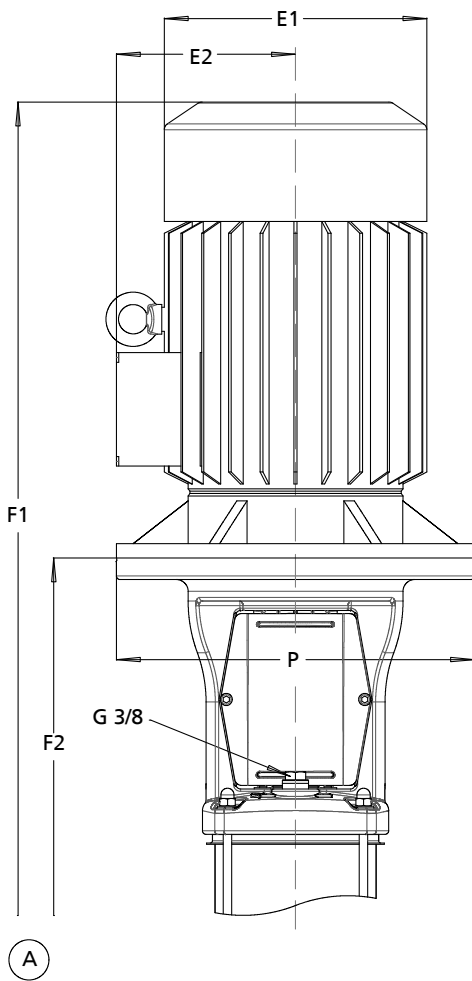


### Dimensions

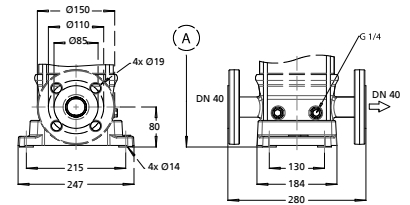
V 10	E1	E2	p <sup>20)</sup>	Oval flange/ Tri-clamp/ Victaulic		Round flange	
				F1	F2	F1	F2
<b>Stages</b>	<b>[mm]</b>						
1	138.5	110	-	592	346	592	346
2	138.5	110	-	592	346	592	346
3	138.5	110	-	618	372	618	372
4	138.5	110	-	645	399	645	399
5	138.5	110	-	671	425	671	425
6	138.5	110	-	698	452	698	452
7	138.5	110	-	724	478	724	478
8	138.5	110	-	750	505	750	505
9	138.5	110	-	777	531	777	531
10	138.5	110	-	804	558	804	558
11	138.5	110	-	830	584	830	584
13	159	155	-	912	672	912	672
15	159	155	-	970	700	970	700
17	159	155	-	1023	733	1023	753
19	159	155	-	1076	806	1076	806
21	159	155	-	1129	859	1129	859

20) Dimensions relevant for motors > 5.5 kW

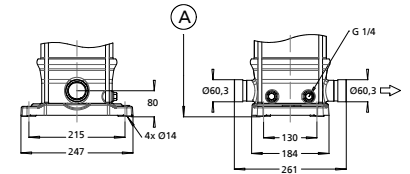
### Movitec B, V 10, n = 3500 rpm



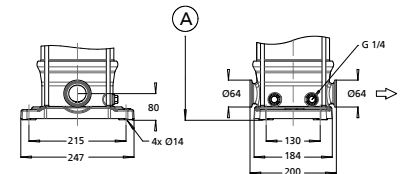
Movitec V/  
Movitec VS  
Oval flange  
Size: G 1 1/2



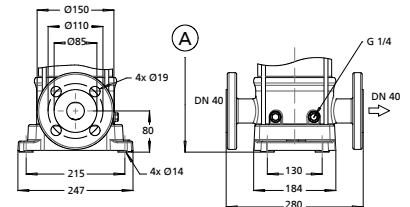
Movitec VV/  
Movitec VSV  
Victaulic  
Size: 60.3



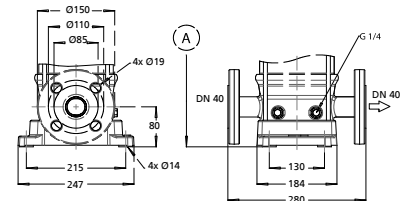
Movitec VT/  
Movitec VST  
Tri-clamp  
Size: DN 50



Movitec VF/  
Movitec VSF  
Round flange  
Size: DN 40



Movitec VCF  
Round flange  
Size: DN 40



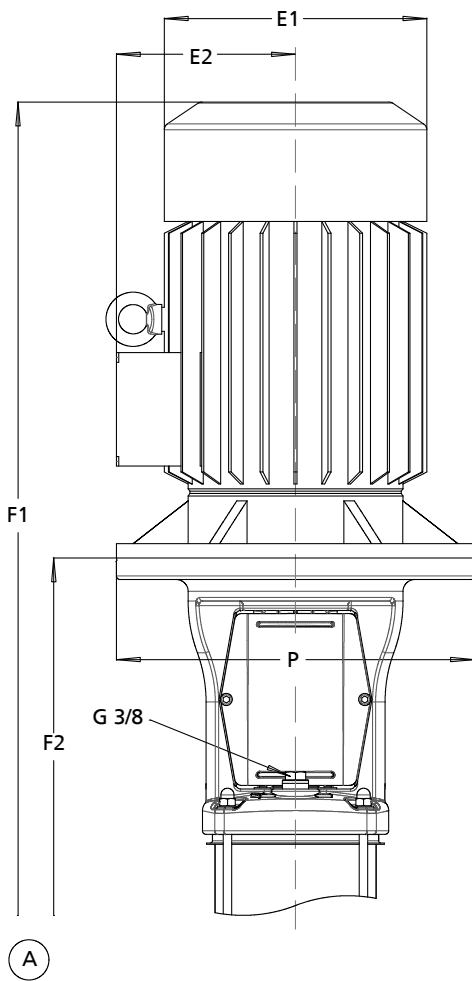
#### Dimensions

V 10	E1	E2	p <sup>21)</sup>	Oval flange/ Tri-clamp/ Victaulic		Round flange	
				F1	F2	F1	F2
<b>Stages</b>	<b>[mm]</b>						
1	160	150	-	621	346	621	346
2	160	150	-	621	346	621	346
3	160	150	-	647	372	647	372
4	185	160	-	679	409	679	409
5	185	160	-	720	435	720	435
6	185	160	-	747	462	747	462
7	205	175	-	828	498	828	498
8	205	175	-	855	525	855	525
9	205	175	-	891	551	891	551
10	205	175	-	918	578	918	578
11	205	175	-	944	604	944	604
13	260	220	300	1102	737	1102	737
15	260	220	300	1155	790	1155	790
17	260	220	300	1208	843	1208	843
19	260	220	300	1261	896	1261	896
21	260	220	300	1314	949	1314	949

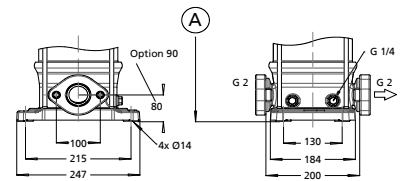
21) Dimensions relevant for motors > 5.5 kW



### Movitec B, V 15, n = 1750 rpm



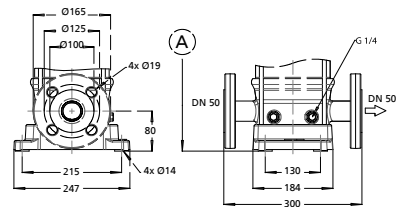
Movitec V/  
Movitec VS  
Oval flange  
Size: G 2



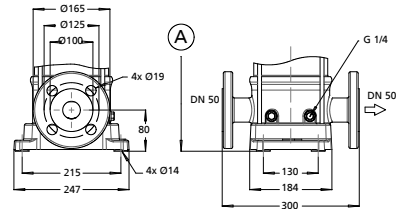
Movitec VV/  
Movitec VSV  
Victaulic  
Size: 60.3

Movitec VT/  
Movitec VST  
Tri-clamp  
Size: DN 50

Movitec VF/  
Movitec VSF  
Round flange  
Size: DN 50



Movitec VCF  
Round flange  
Size: DN 50

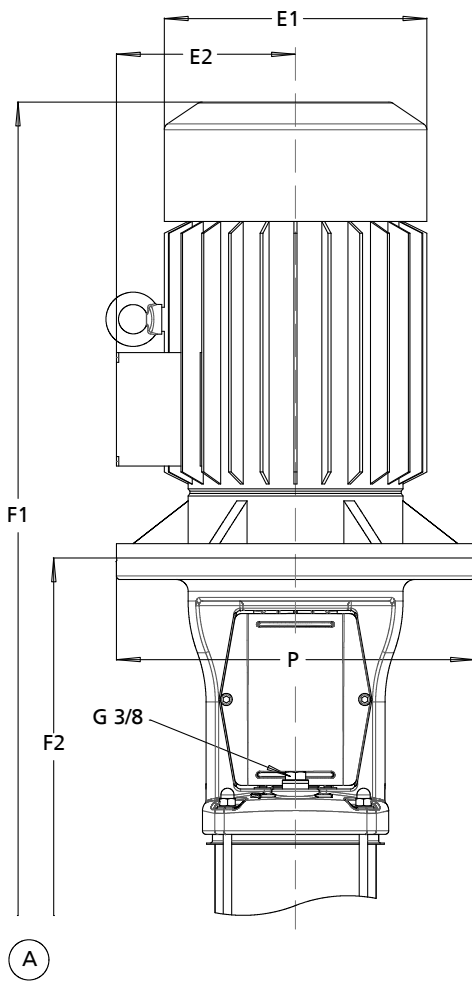


#### Dimensions

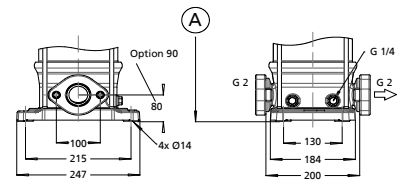
V 15	E1	E2	p <sup>22)</sup>	Oval flange/ Tri-clamp/ Victaulic		Round flange	
				F1	F2	F1	F2
<b>Stages</b>	<b>[mm]</b>						
1	138.5	110	-	592	346	602	356
2	138.5	110	-	592	346	602	356
3	138.5	110	-	618	372	628	382
4	138.5	110	-	645	399	655	409
5	138.5	110	-	671	425	681	435
6	159	155	-	727	452	737	462
7	159	155	-	758	488	768	498
8	159	155	-	785	515	795	525
9	159	155	-	811	541	821	551
10	176.5	160	-	853	568	863	578
11	176.5	160	-	879	594	889	604
13	176.5	160	-	932	647	942	657
15	176.5	160	-	1040	710	1050	720
17	176.5	160	-	1093	763	1103	773

22) Dimensions relevant for motors > 5.5 kW

Movitec B, V 15, n = 3500 rpm



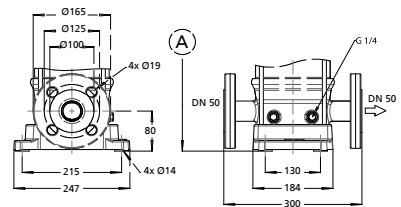
Movitec V/  
Movitec VS  
Oval flange  
Size: G 2



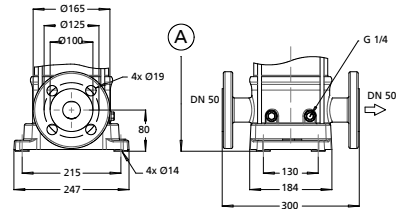
Movitec VV/  
Movitec VSV  
Victaulic  
Size: 60.3

Movitec VT/  
Movitec VST  
Tri-clamp  
Size: DN 50

Movitec VF/  
Movitec VSF  
Round flange  
Size: DN 50



Movitec VCF  
Round flange  
Size: DN 50

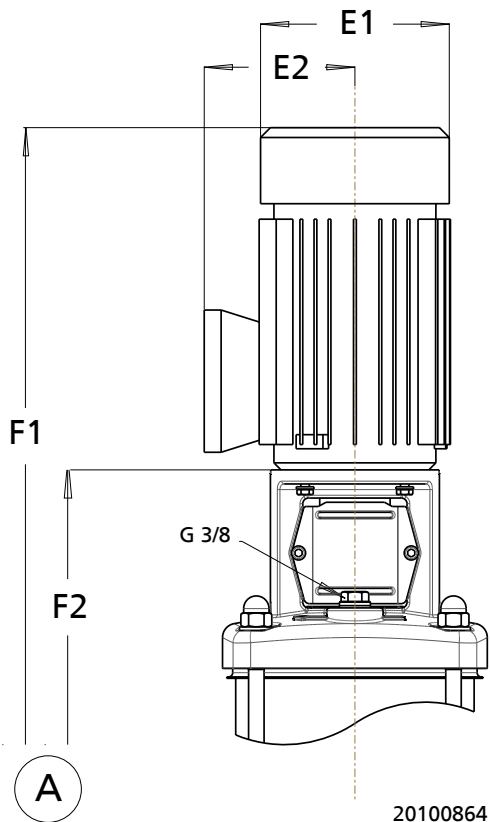


Dimensions

V 15	E1	E2	p <sup>23)</sup>	Oval flange/ Tri-clamp/ Victaulic		Round flange	
				F1	F2	F1	F2
<b>Stages</b>	<b>[mm]</b>						
1	160	150	-	621	346	631	356
2	185	160	-	641	356	651	366
3	205	175	-	722	392	732	402
4	205	175	-	759	419	769	429
5	260	220	300	890	525	900	535
6	260	220	300	916	551	926	561
7	260	220	300	943	578	953	588
8	260	220	300	969	604	979	614
9	315	265	350	1159	661	1169	671
10	315	265	350	1185	687	1195	697
11	315	265	350	1222	724	1222	724
13	315	265	350	1275	777	1275	777
15	315	265	350	1328	830	1328	830
17	315	265	350	1381	883	1381	883

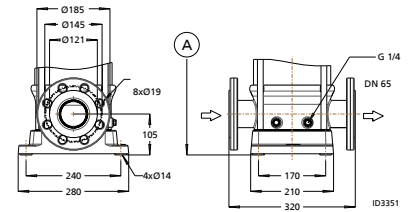
23) Dimensions relevant for motors > 5.5 kW

Movitec B, V 25, n = 1750 rpm

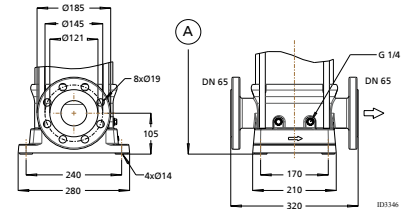


Motor flange version with tapped holes

Movitec VF/  
Movitec VSF  
Round flange  
Size: DN 65



Movitec VCF  
Round flange  
Size: DN 65



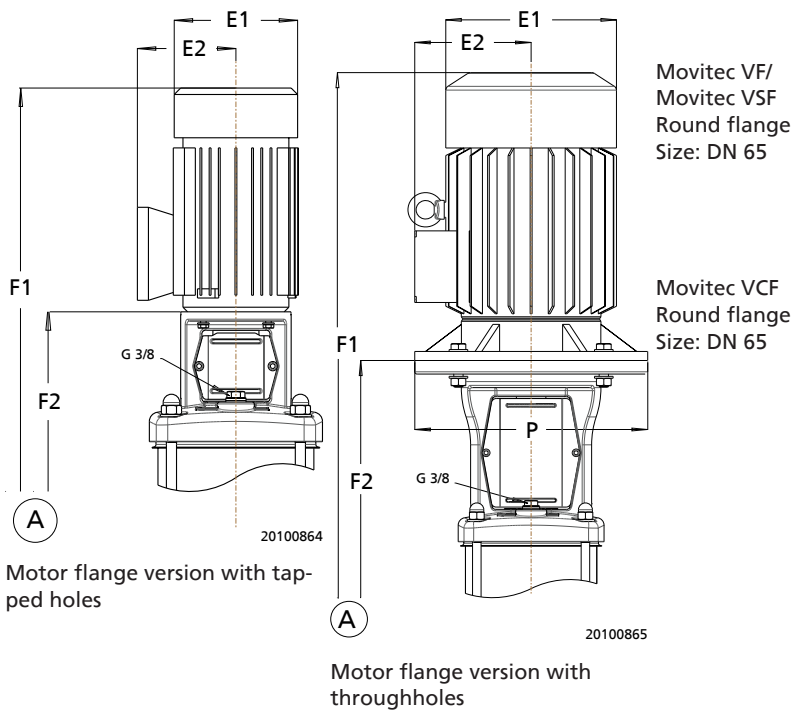
Dimensions

Motor flange version with tapped holes

V 25	E1	E2	p <sup>24)</sup>	Round flange	
				F1	F2
Stages	[mm]				
1	176	141	-	678	408
2	176	141	-	743	473
3	176	141	-	808	538
4	176	141	-	873	603
5	176	141	-	938	668
6	195	145	-	1018	733
7	195	145	-	1083	798
8	195	145	-	1198	868
9	195	145	-	1263	933
10	195	145	-	1328	998
11	195	145	-	1393	1063
12	195	145	-	1458	1128

24) Dimensions relevant for motors > 5.5 kW

Movitec B, V 25, n = 3500 rpm



Dimensions

Motor flange version with tapped holes

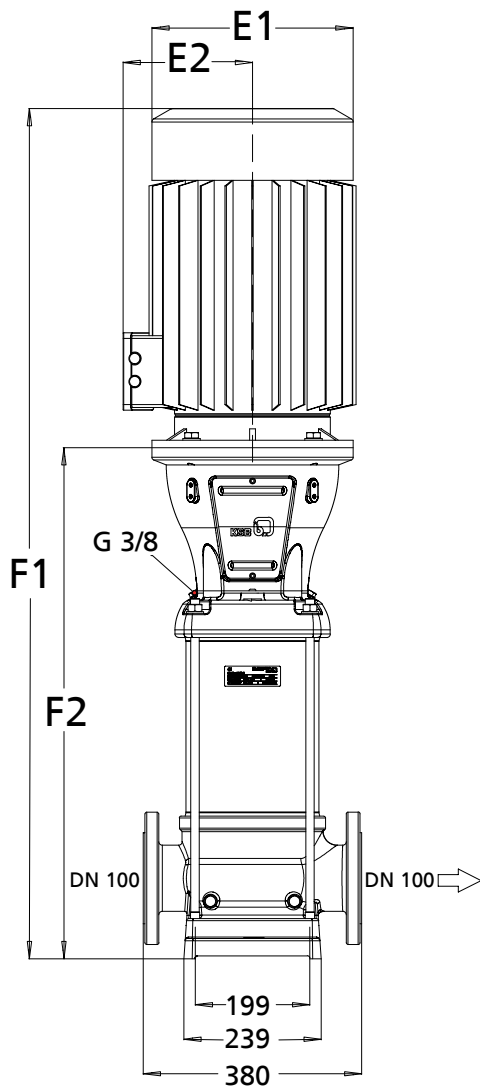
V 25	E1	E2	P	Round flange	
				F1	F2
<b>Stages</b>	<b>[mm]</b>				
1	185	160	-	693	408
2	220	190	-	818	478

Dimensions

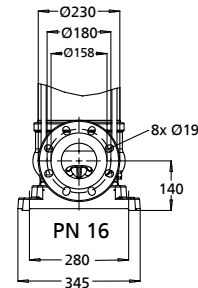
Motor flange version with throughholes

V 25	E1	E2	P	Round flange	
				F1	F2
<b>Stages</b>	<b>[mm]</b>				
3	260	220	300	999	634
4	260	220	300	1064	699
5	315	265	350	1292	794
6	315	265	350	1357	859
7	315	265	350	1422	924
8	315	265	350	1487	989
9	315	265	350	1552	1054
10	315	265	350	1699	1119
11	360	280	350	1764	1184
12	350	280	350	1829	1249

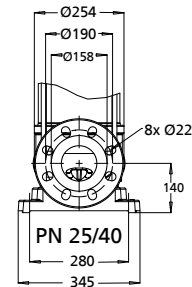
Movitec B, VCF 90, V(S)F 90 (60 Hz)



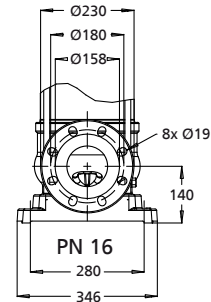
Movitec VCF  
Round flange  
PN 16



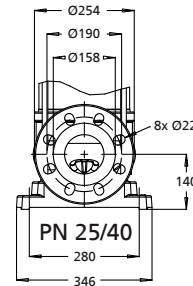
Movitec VCF  
Round flange  
PN 25/40



Movitec VF/  
Movitec VSF  
Round flange  
PN 16



Movitec VF/  
Movitec VSF  
Round flange  
PN 25/40



Dimensions  
Movitec VCF 90, V(S)F 90, 2900 rpm

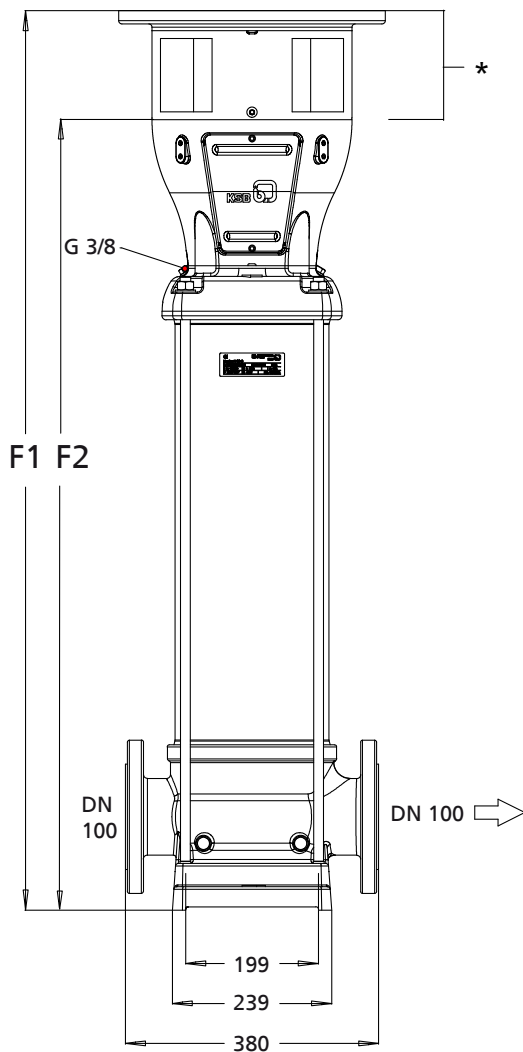
VCF 90, V(S)F 90	E1	E2	F1	F2
<b>Stages</b>	<b>[mm]</b>			
1-1	233	162	970	641
1	266	179	1062	641
2-2	315	206	1282	780
2-1	315	206	1282	780
2	315	206	1282	780
3-2	315	206	1435	889
3-1	350	225	1484	889
3	350	225	1484	889
4-2	450	355	1713	998
4-1	350	355	1713	998
4	350	355	1713	998
5-2	350	355	1822	1107
5-1	350	355	1822	1107
5	350	355	1822	1107

VCF 90, V(S)F 90	E1	E2	F1	F2
<b>Stages</b>	<b>[mm]</b>			
6-2	466	373	1953	1216
6-1	466	373	1953	1216
6	466	373	1953	1216

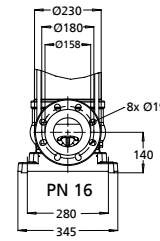
Dimensions  
Movitec VCF 90, V(S)F 90, 1450 rpm

VCF 90, V(S)F 90	E1	E2	F1	F2
<b>Stages</b>	<b>[mm]</b>			
5-2	266	179	1460	1077
5-1	266	179	1460	1077
5	266	179	1460	1077
6-2	266	179	1460	1186
6-1	266	179	1460	1186
6	266	179	1460	1186

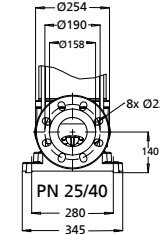
Movitec B, VCF 90, V(S)F 90, without motor (60 Hz)



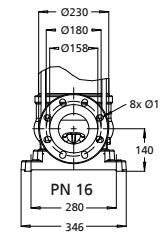
Movitec VCF  
Round flange  
PN 16



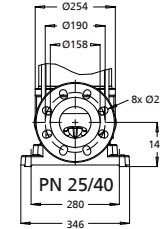
Movitec VCF  
Round flange  
PN 25/40



Movitec VF/  
Movitec VSF  
Round flange  
PN 16



Movitec VF/  
Movitec VSF  
Round flange  
PN 25/40



\* Optional: thrust bearing housing

Dimensions  
Movitec VCF 90, without motor, 2900 rpm

VCF 90	With bearing housing		Without bearing housing	
	F1	F2	F1	F2
Stages	[mm]	[kg]	[mm]	[kg]
1-1	775	98	641	79
1	775	98	641	79
2-2	914	120	780	101
2-1	914	120	780	101
2	914	120	780	101
3-2	1023	130	889	111
3-1	1023	130	889	111
3	1023	130	889	111
4-2	1132	143	998	124
4-1	1132	143	998	124
4	1132	143	998	124
5-2	1241	153	1107	134
5-1	1241	153	1107	134
5	1241	153	1107	134
6-2	1350	172	1216	153

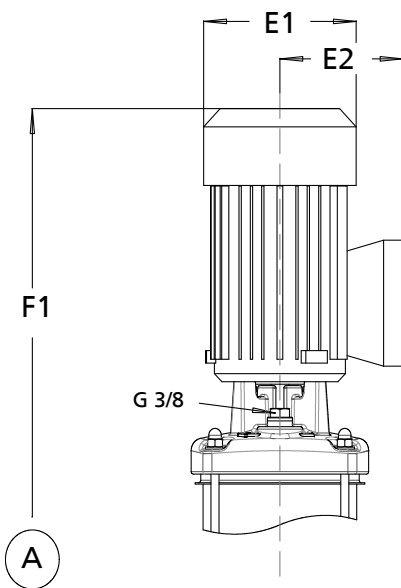
VCF 90	With bearing housing		Without bearing housing	
	F1	F2	F1	F2
Stages	[mm]	[kg]	[mm]	[kg]
6-1	1350	172	1216	153
6	1350	172	1216	153

Dimensions  
Movitec V(S)F 90, without motor, 2900 rpm

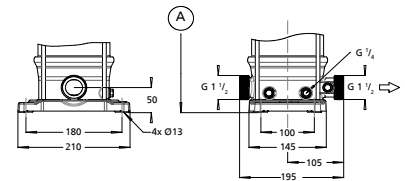
V(S)F 90	With bearing housing		Without bearing housing	
	F1	F2	F1	F2
Stages	[mm]	[kg]	[mm]	[kg]
1-1	775	100	641	81
1	775	100	641	81
2-2	914	122	780	103
2-1	914	122	780	103
2	914	122	780	103
3-2	1023	132	889	113
3-1	1023	132	889	113
3	1023	132	889	113

V(S)F 90	With bearing housing		Without bearing housing	
	F1		F2	
Stages	[mm]	[kg]	[mm]	[kg]
4-2	1132	145	998	126
4-1	1132	145	998	126
4	1132	145	998	126
5-2	1241	155	1107	136
5-1	1241	155	1107	136
5	1241	155	1107	136
6-2	1350	173	1216	154
6-1	1350	173	1216	154
6	1350	173	1216	154

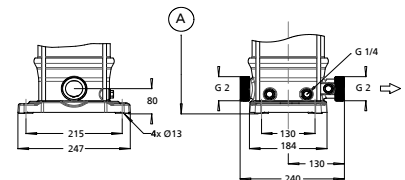
Movitec B, VME 2, 4, 6, VE 10 (60 Hz)



Movitec VME  
External thread  
(V 2, 4, 6)  
Size: G 1 1/2



Movitec VE  
External thread  
(V 10)  
Size: G 2



Movitec VME 2

VME 2 Stages	E1 [mm]	E2 [mm]	F1 [mm]
2	138	109	420
3	138	109	441
4	138	109	463
5	138	108	484
6	138	109	506

Movitec VME 4

VME 4 Stages	E1 [mm]	E2 [mm]	F1 [mm]
2	138	109	420
3	138	109	441
4	158	109	463
5	160	150	528
6	160	150	556

Movitec VME 6

VME 6 Stages	E1 [mm]	E2 [mm]	F1 [mm]
2	138	109	427
3	160	150	496

VME 6 Stages	E1 [mm]	E2 [mm]	F1 [mm]
4	160	150	521
5	160	150	546

Movitec VE 10

VE 10 Stages	E1 [mm]	E2 [mm]	F1 [mm]
1	160	150	621
2	160	150	621
3	160	150	647
4	185	160	679
5	185	160	720
6	185	160	747
7	205	175	828
8	205	175	855

Notes on installation

Standard:

- Vertical installation

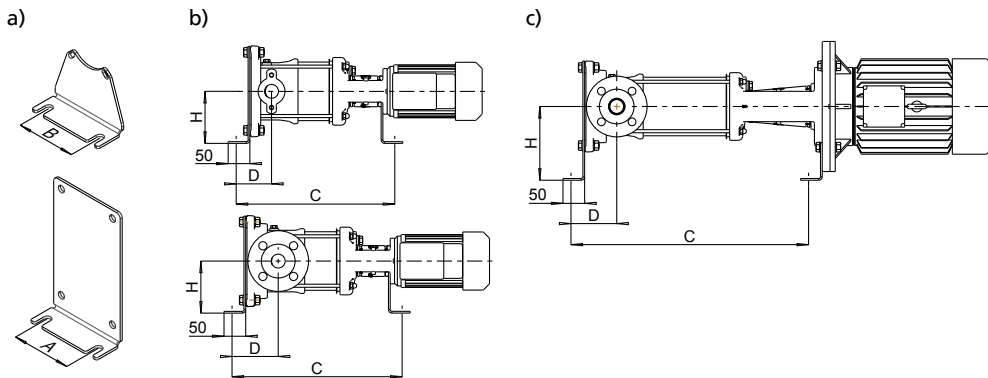
(⇒ Page 36)

Optional:

- Horizontal installation

(possible for motor ratings up to and including 7.5 kW in systems where the installation conditions do not allow vertical installation)

### Movitec 2B, 4B, 6B

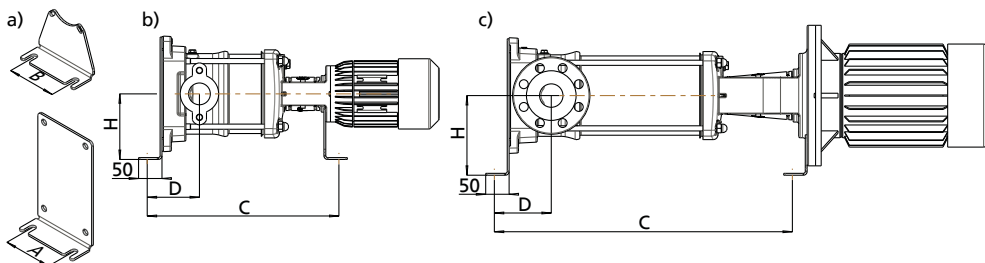


a) Pump bracket b) 0.25-4.00 kW c) 5.50-7.50 kW

Installation dimensions of pump bracket as a function of motor rating and connection type (⇒ Page 5)

Motor rating [kW]	A [mm]	B [mm]	C [mm]	D [mm]		H [mm]	[kg]	Mat. No.
				-, E, T, V	F			
0,37/0,55 kW (2-pole)	100	100	F2+49	82	107	120	2	48895741
0,75/1,10 kW (2-pole)	100	100	F2+49	82	107	120	2.3	48895742
1,50/2,20 kW (2-pole)	100	100	F2+47	82	107	120	2.5	48895743
3,00/4,00 kW (2-pole)	100	100	F2+47	82	107	120	3	48895744
5,50/7,50 kW (2-pole)	100	210	F2-18	82	107	170	3.5	48895745

### Movitec 10B, 15B



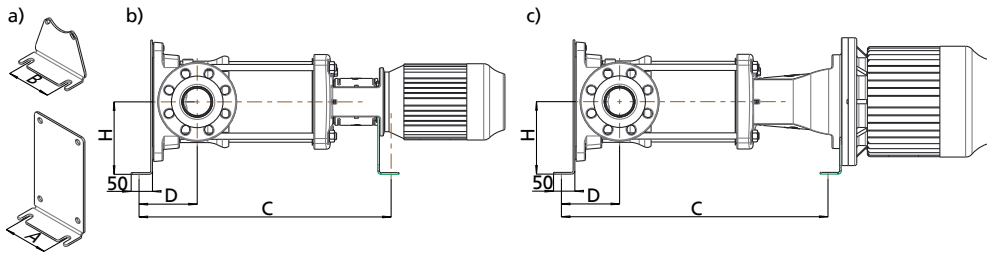
a) Pump bracket b) 0.75-4.00 kW c) 5.50-7.50 kW

Installation dimensions of pump bracket as a function of motor rating and connection type (⇒ Page 5)

Motor rating [kW]	A [mm]	B [mm]	C [mm]	D [mm]		H [mm]	[kg]	Mat. No.
				-, E, F, T, V 10B -, E 15B	F, T, V 15B			
0,75/1,10 kW (2-pole)	130	130	F2+49	111,5	121,5	140	2.786	01338571
0,55/0,75 kW (4-pole)	130	130	F2+47	111,5	121,5	140	2.799	01338572
1,10/1,52 kW (4-pole)	130	130	F2+47	111,5	121,5	140	2.766	01338573
3,00/4,00 kW (4-pole)	130	130	F2+47	111,5	121,5	140	2.766	01338573
2,20/4,00 kW (4-pole)	130	130	F2+47	111,5	121,5	140	2.766	01338573
5,50/7,50 kW (2; 4-pole)	130	210	F2-18	111,5	121,5	170	3.116	01338574



### Movitec 25B

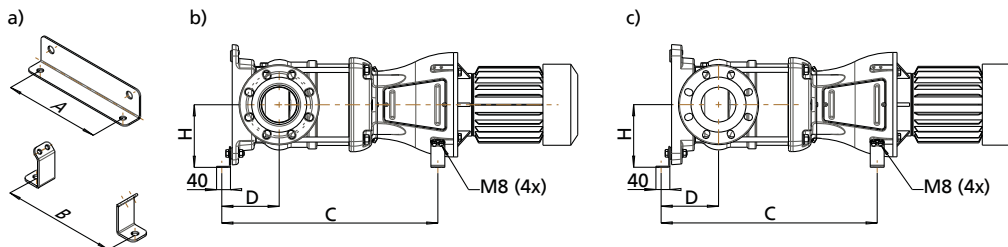


a) Pump bracket b) 2.20-4.00 kW c) 5.50-7.50 kW

Installation dimensions of pump bracket as a function of motor rating and connection type (⇒ Page 5)

Motor rating [kW]	A [mm]	B [mm]	C [mm]	D [mm]	H [mm]	[kg]	Mat. No.
1,50/2,50 kW (2-pole)	170	180	F2+47	136,5	170	2.799	1498693
3,00/4,00 kW (2-pole)	170	180	F2+47	136,5	170	2.799	1498694
5,50/7,50 kW (2-pole)	170	210	F2-16	136,5	170	3.116	1498695

### Movitec 90B



a) Pump bracket b) 5.50-7.50 kW

Installation dimensions of pump bracket as a function of motor rating and connection type (⇒ Page 5)

Motor rating [kW]	A [mm]	B [mm]	C [mm]	D [mm]		H [mm]	[kg]	Mat. No.
				-, E, F, T, V 10B -, E 15B	F, T, V 15B			
5,50/7,50 kW (2; 4-pole)	210	250	F2-16	82	107	180	3.8	48895593

### Scope of supply

Depending on the model, the following items are included in the scope of supply:

- Pump
- Electric motor

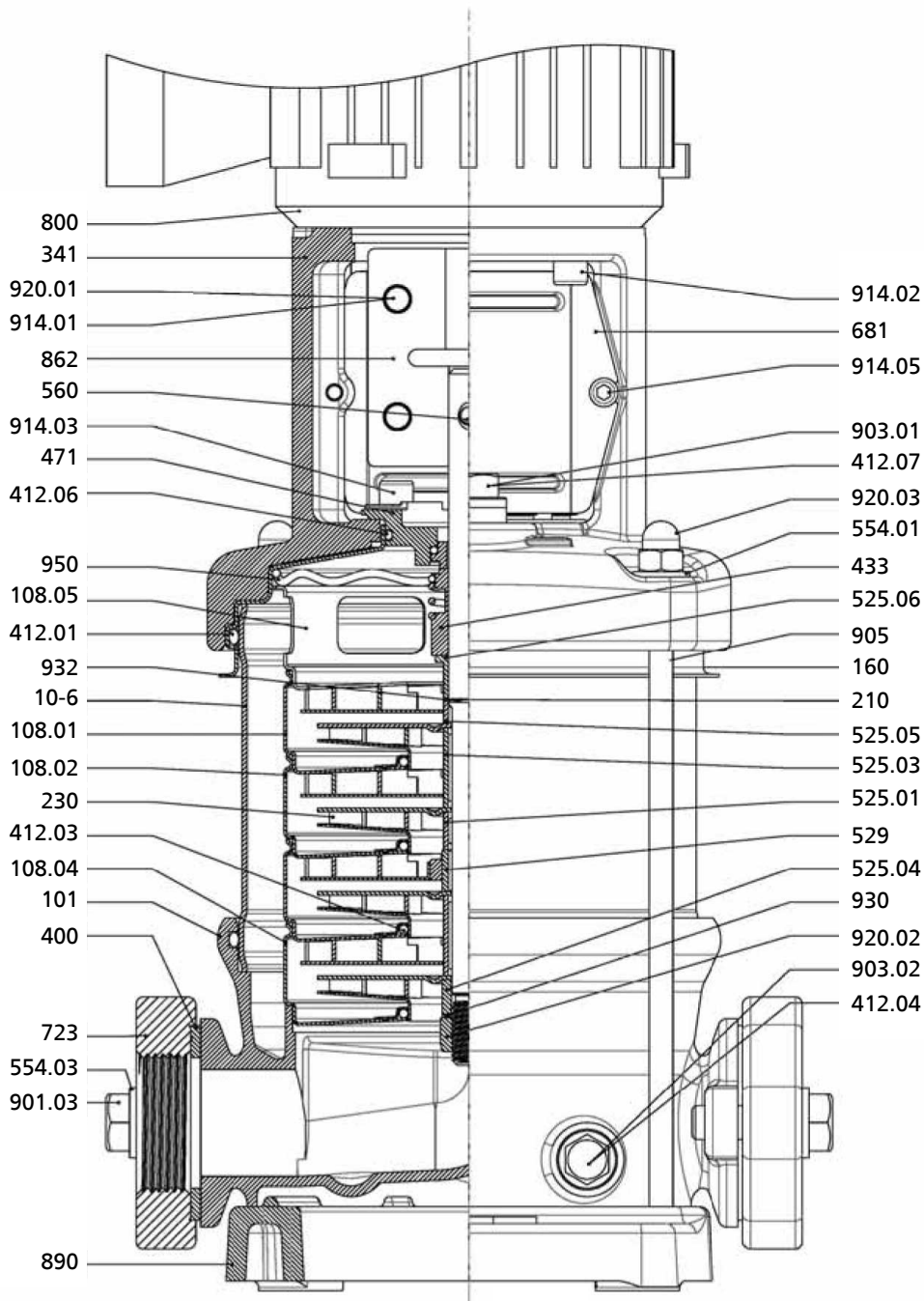
### Accessories

Possible accessories:

- Frequency inverter, see type series booklet PumpDrive (4070.5)

General assembly drawing with list of components

Movitec V 2 B, 4 B, 6 B



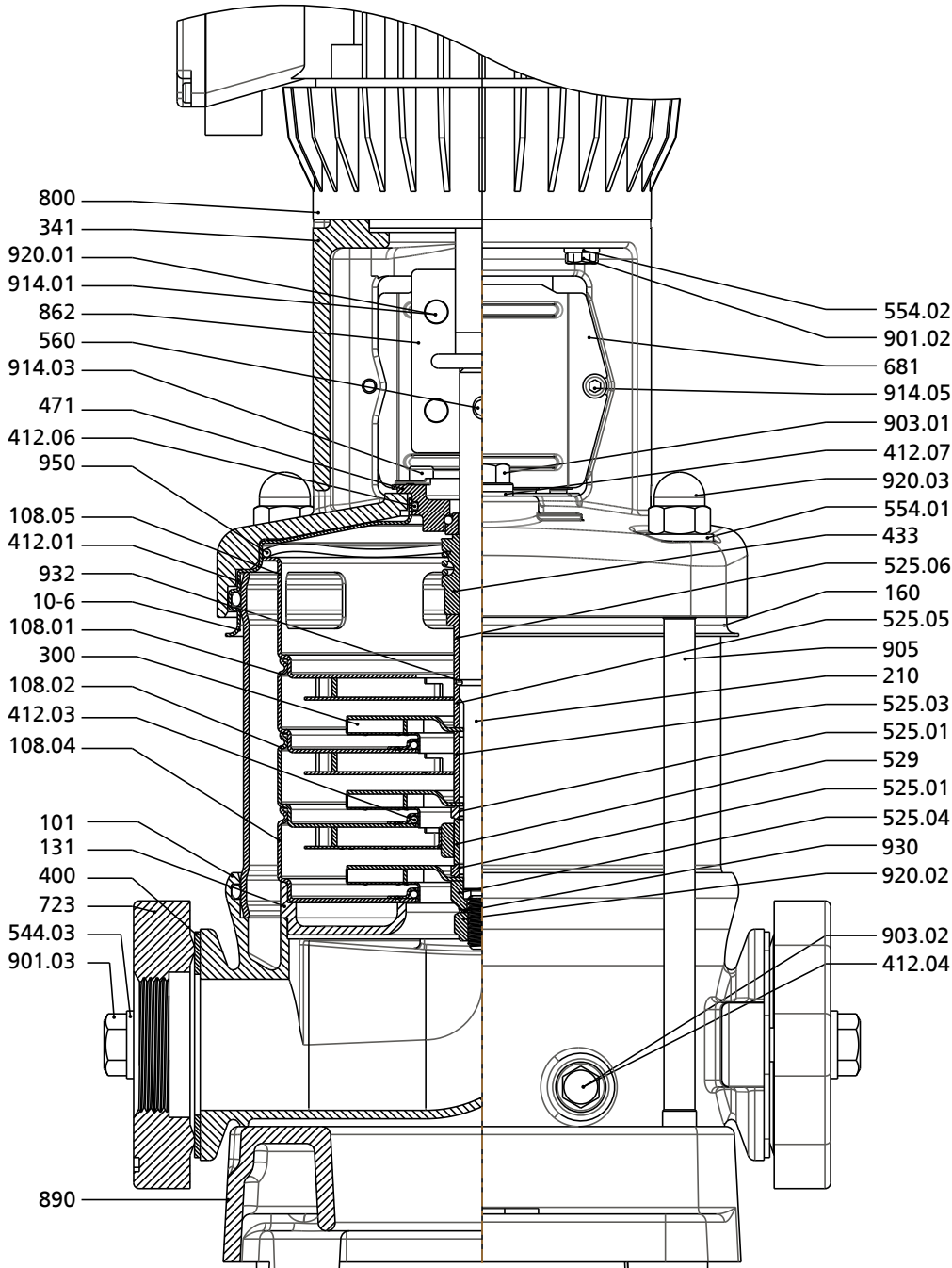
General assembly drawing of Movitec V 2, 4, 6

List of components

Part No.	Description	Part No.	Description
10-6	Pump shroud	560	Pin
101	Pump casing	681	Coupling guard
108	Stage casing	723	Flange
160	Cover	800	Motor
210	Shaft	862	Coupling
230	Impeller	890	Baseplate

Part No.	Description	Part No.	Description
341	Drive lantern	901	Hexagon head bolt
400	Gasket	903	Vent plug
412	O-ring	905	Tie bolt
433	Mechanical seal	914	Hexagon socket head cap screw
471	Seal cover	920	Nut
525	Spacer sleeve	930	Safety device
529	Bearing sleeve	932	Circlip
554	Washer	950	Spring

Movitec V(S) 10 B, 15 B, 25 B

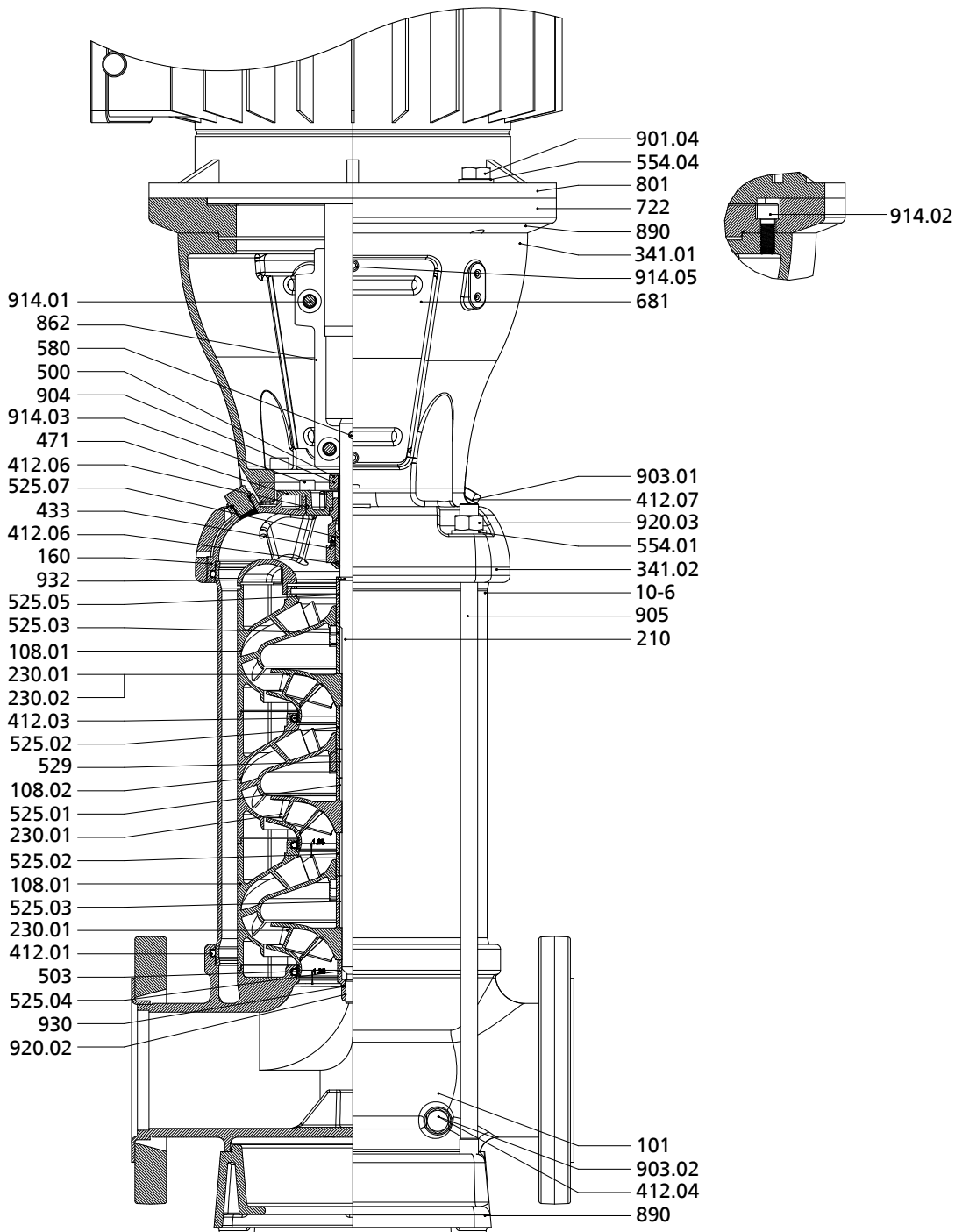


General assembly drawing of Movitec V(S) 10,15, 25

List of components

Part No.	Description	Part No.	Description
10-6	Pump shroud	544	Threaded bush
101	Pump casing	554	Washer
108	Stage casing	560	Pin
131	Inlet ring	681	Coupling guard
160	Cover	723	Flange
210	Shaft	800	Motor
300	Bearings	862	Coupling
341	Drive lantern	890	Baseplate
400	Gasket	901	Hexagon head bolt
412	O-ring	903	Vent plug
433	Mechanical seal	905	Tie bolt
471	Seal cover	914	Hexagon socket head cap screw
525	Spacer sleeve	920	Nut
529	Bearing sleeve	930	Safety device

Movitec V 90 B



General drawing of Movitec V 90

List of components

Part No.	Description	Part No.	Description
10-6	Pump shroud	560	Pin
101	Pump casing	681	Coupling guard
108	Stage casing	722	Flanged taper piece
160	Cover	801	Flanged motor
230	Impeller	862	Coupling
341	Drive lantern	890	Baseplate

Part No.	Description	Part No.	Description
412	O-ring	901	Hexagon head bolt
433	Mechanical seal	903	Vent plug
471	Seal cover	904	Grub screw
500	Ring	905	Tie bolt
503	Impeller wear ring	914	Hexagon socket head cap screw
525	Spacer sleeve	920	Nut
529	Bearing sleeve	930	Safety device
554	Washer	932	Circlip





**KSB Aktiengesellschaft**

67225 Frankenthal • Johann-Klein-Str. 9 • 67227 Frankenthal (Germany)

Tel. +49 6233 86-0 • Fax +49 6233 86-3401

[www.ksb.com](http://www.ksb.com)

20.09.2013

1798.561/04-US